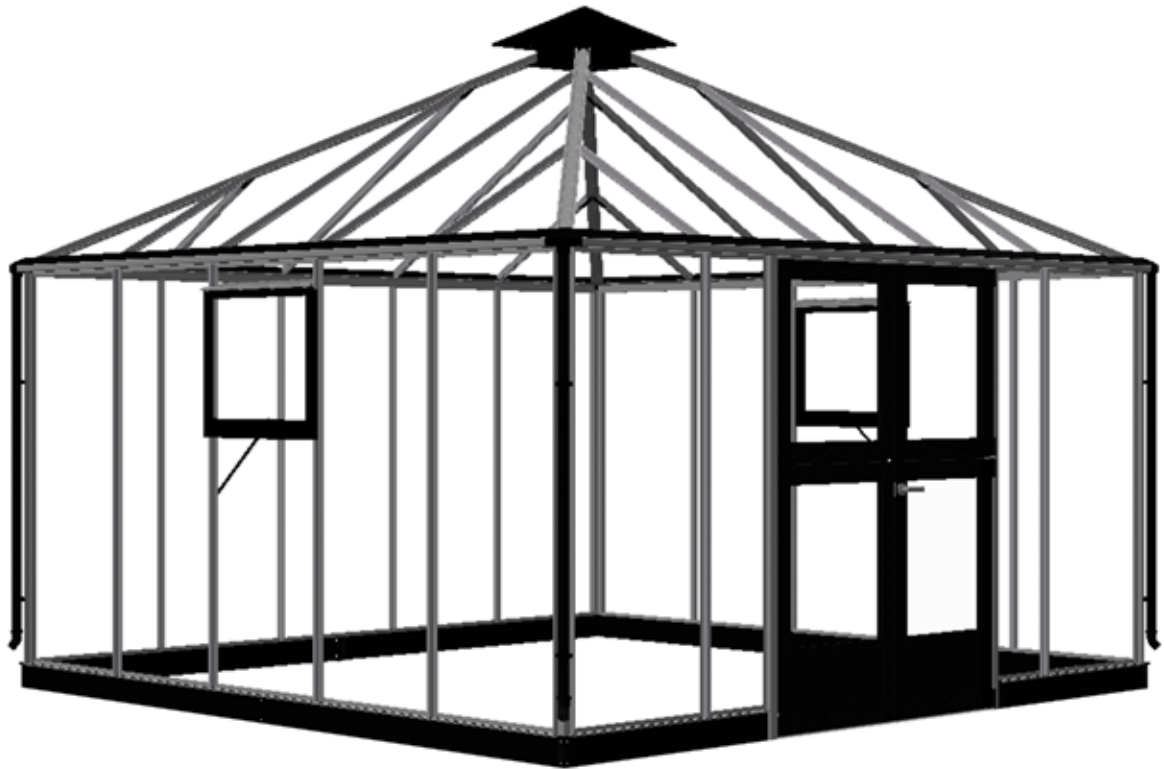


9'8" x 9'8" (8,8 m²)



21042017-CH

Montagevejledning · Montageanleitung · Assembly instruction
Instructions de montage · Montagehandleiding
Instrucciones de montaje · Istruzioni di montaggio · Kokoamisohie

 **JULIANA**[®]

DEAR CUSTOMER

Congratulations on purchasing your new greenhouse. It is important that you follow these assembly instructions step-by-step.

The assembly instructions are a combination of text and illustrations. The profiles are packed in separate, numbered packs corresponding to their order of use in the instructions. Assemble one pack at a time. All nuts, bolts and fittings are contained in bag No. 0 (specified on page 12). Each pack is specified in separate lists of components.

All detailed illustrations are marked with the following symbols:



Seen from the inside Seen from the outside

SOME SAFETY PRECAUTIONS

- Assembly must only be carried out in dry and calm weather.
- Always wear work gloves when installing the glazing. Greenhouse glass has sharp edges, especially if it breaks.
- Assistants and especially children must be warned that broken glass is dangerous. Pick up all broken glass at once and remove it with care.
- We recommend that you wear protective glasses while fixing the spring wire clips.
- Any ladders that are used must be placed on a level surface.
- It is essential to have an assistant available.

PAGE 12: TOOLS

Assembling the greenhouse requires the tools shown on page 12.

PAGE 13: FOUNDATIONS

No base is included with this product. However, an original base is available separately. This base is easy to construct and will guarantee you a stable base for your greenhouse.

If you construct your own base, the specified measurements must be external measurements.

If you purchase an original base, you will also require about 75 litres of concrete and six to eight plastic/concrete pipes of about 800mm. These pipes, which must be buried at a sufficient depth to ensure that they do not freeze, secure the corner and middle anchors.

The base must be completely level and square; the latter can be ensured by checking that the two diagonal measurements are equal.

ATTACHMENT TO THE BASE

If you construct your own base, you must drill holes (7mm) in the ground frame between all the vertical profiles. The greenhouse must then be secured to the base using screws (A).

If you use an original base, the greenhouse must be secured to each vertical bar as shown on drawings B/C.

PAGE 14-27: ORDER OF ASSEMBLY

Place the components as shown on the illustration and assemble in the order shown in the pictures. Do not tighten the nuts fully until the entire sub-frame has been assembled.

PAGE 18: ROOF

The two automatic openers should be frequently adjusted and at least twice a year in response to major temperature changes. In winter, it is advisable to maintain a maximum interval of 40 mm between the bottom of the cylinder and the tightening screw.

PAGE 20-23: DOORS AND WINDOWS

For easier assembly, we recommend that you oil the screws for the doors. The glass or polycarbonate for the door(s) and windows must be fitted at the same time as the profiles.

SIDE 25: DOWNPIPE AND FITTINGS**PAGES 26-27: FITTING OF GLASS**

Important before assembly!

Make sure that the gables and sides are level and square and that door(s) and window(s) are functioning perfectly.

The best order of assembly for the glass:

Windows - Roof - Doors - Gables - Sides

Glass installation (illustrations 1 to 8)

Degrease the sheets and frames with spirit.

Start glazing from the bottom, one pane at a time.

Apply a 3mm silicone bead around the vertical frames as indicated (the dotted lines on the illustration). (A 3mm bead of silicone is sufficient to ensure maximum adhesion). If you use more silicone than recommended, extra tubes can be purchased.

If you accidentally break a pane, carefully pull the broken glass outwards and loosen the silicone using a sharp craft knife.

Clean the profile completely before inserting a new pane of glass.

M-strips are fitted as shown on pages 26. Place the upper part of the strip under the aluminium profile along the full length of the sheet and then click the strip into position from above.

Your greenhouse is now fully assembled. However, please note the following:

MAINTENANCE

- Grease the doors (hinges and locks).
- Keep the gutters free from leaves, etc.
- Adjust the windows as necessary.
- Replace any broken glass.
- Clean the greenhouse with disinfectant before and after the growing season.

WINTER PROTECTION

If you anticipate snow during the winter, we recommend the following winter precautions:

- Support the apex of the roof in the middle.
- Remove any deep snow from the roof.
- Take precautions to prevent snow falling from a tree or roof, for example.
- Remove the cylinders for the automatic window openers, if fitted (optional extras).
- Adjust the cylinders for the opening of the hood.
- Secure the door(s) and window(s) to prevent wind damage to the greenhouse.

WATER AND CONDENSATION

Please note that your greenhouse is not like a conservatory, for example, and that you should therefore be aware that the greenhouse may leak during or after precipitation and that condensation will occur on the inside of the greenhouse. Good ventilation will help prevent condensation.

INSURANCE

Please note that not all insurance companies cover greenhouses automatically. Please contact your insurance company to ensure that your greenhouse is covered.

GUARANTEE

Juliana greenhouses are covered by a 12-year guarantee, which covers the replacement or repair of faulty parts. The guarantee does not cover polycarbonate, glass, transport, assembly, freight, etc.

Juliana greenhouses are covered by a two-year warranty on painted parts, where fitted. Note that marks on the paint may occur due to suspension of the profiles.

The guarantee will be void if the greenhouse is not assembled in accordance with these instructions.

COMPLAINTS

All our greenhouses are built to the highest quality standards. However, should you experience any problems, please contact your dealer at once. When describing the defect, please state the greenhouse model, the component number and the quality control number.


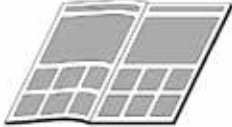
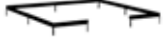






Any suspension marks or shiny ends on painted Juliana profiles will not be visible after the greenhouse has been assembled.

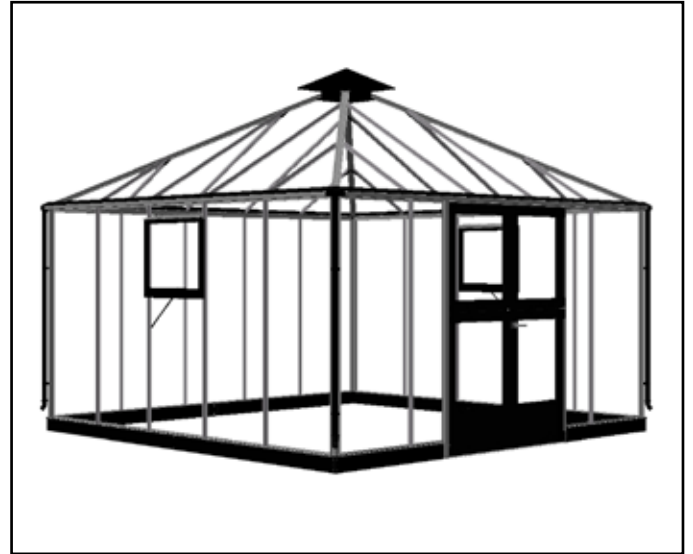
Congratulations on your new greenhouse, which we hope will bring you a lot of pleasure for many years to come.

Yours sincerely,

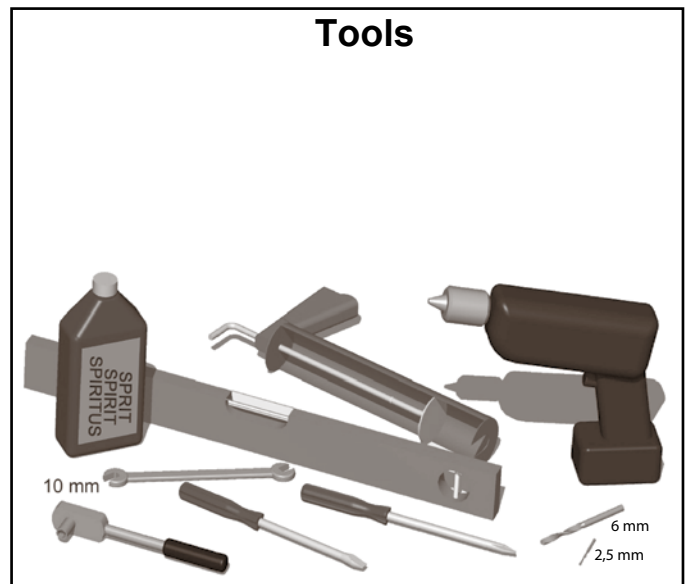
Juliana Drivhuse A/S

Survey







	
	13
	14 - 17
	18 - 19
	20 - 21
	22 - 23
	24 - 25
	26 - 27



Tools



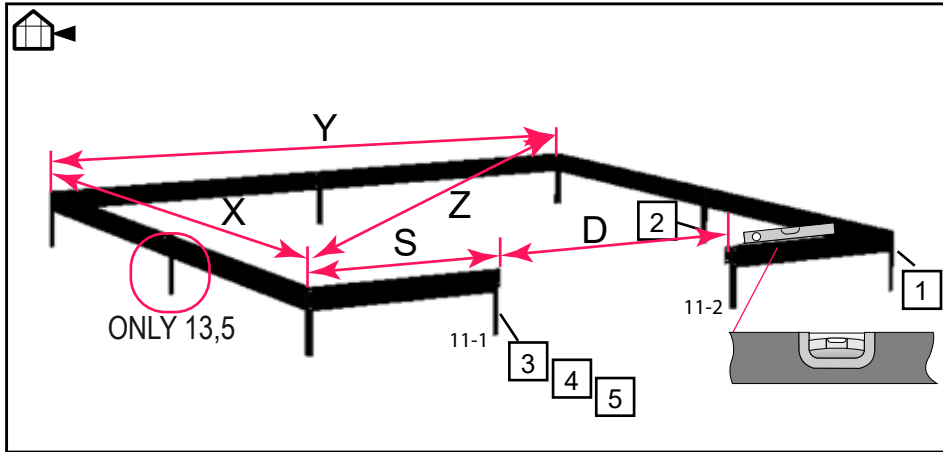
Fittings

0	#		8,8	13,5	
	78	14-23	140	140	
	79	14-23	160	160	
	84	14-23	20	20	
	602	14-25	10	10	
	79A	14-25	10	10	

Accessories

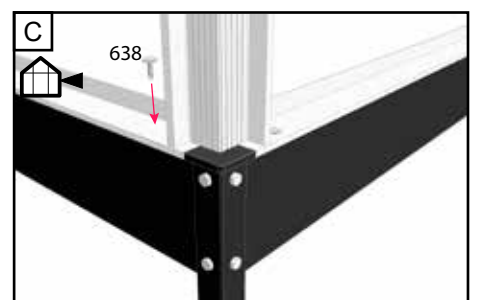
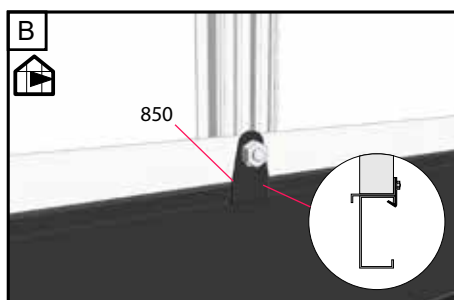
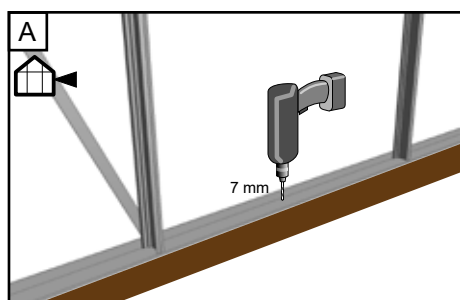
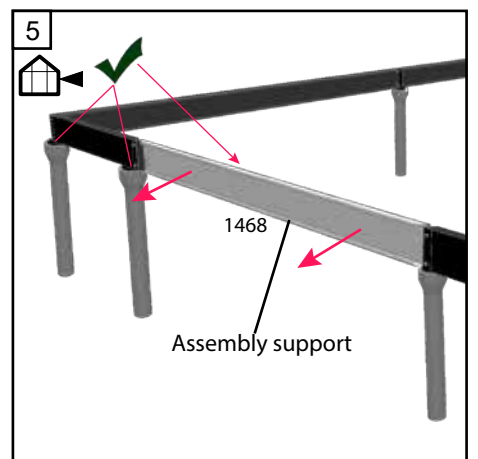
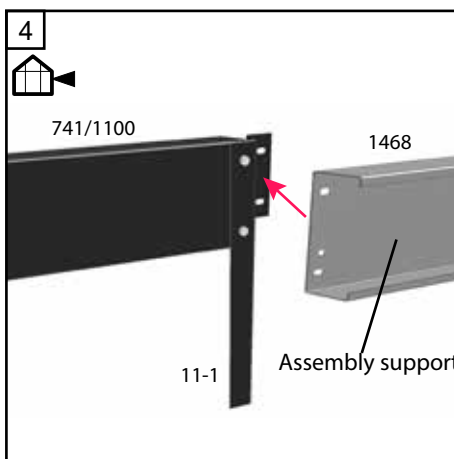
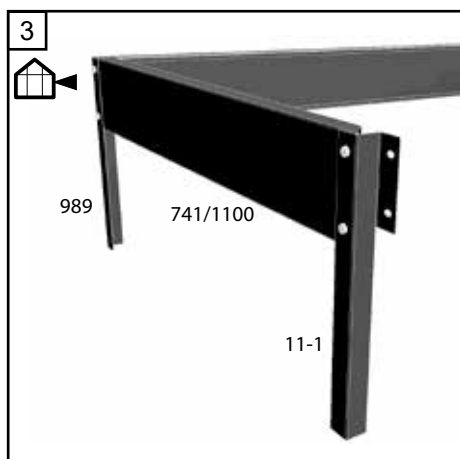
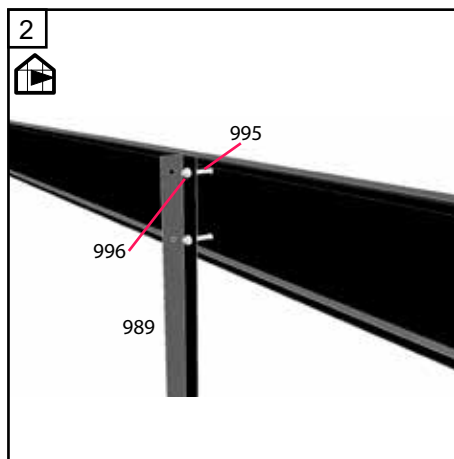
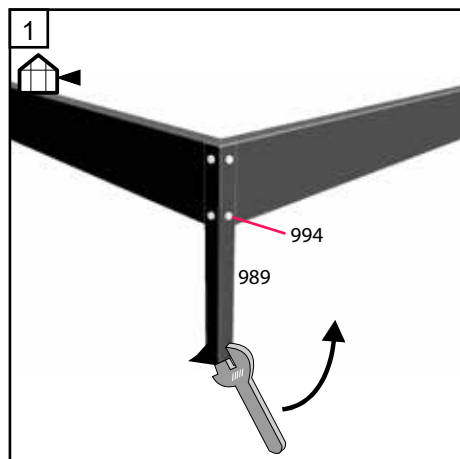
Foundation

Steel-foundation

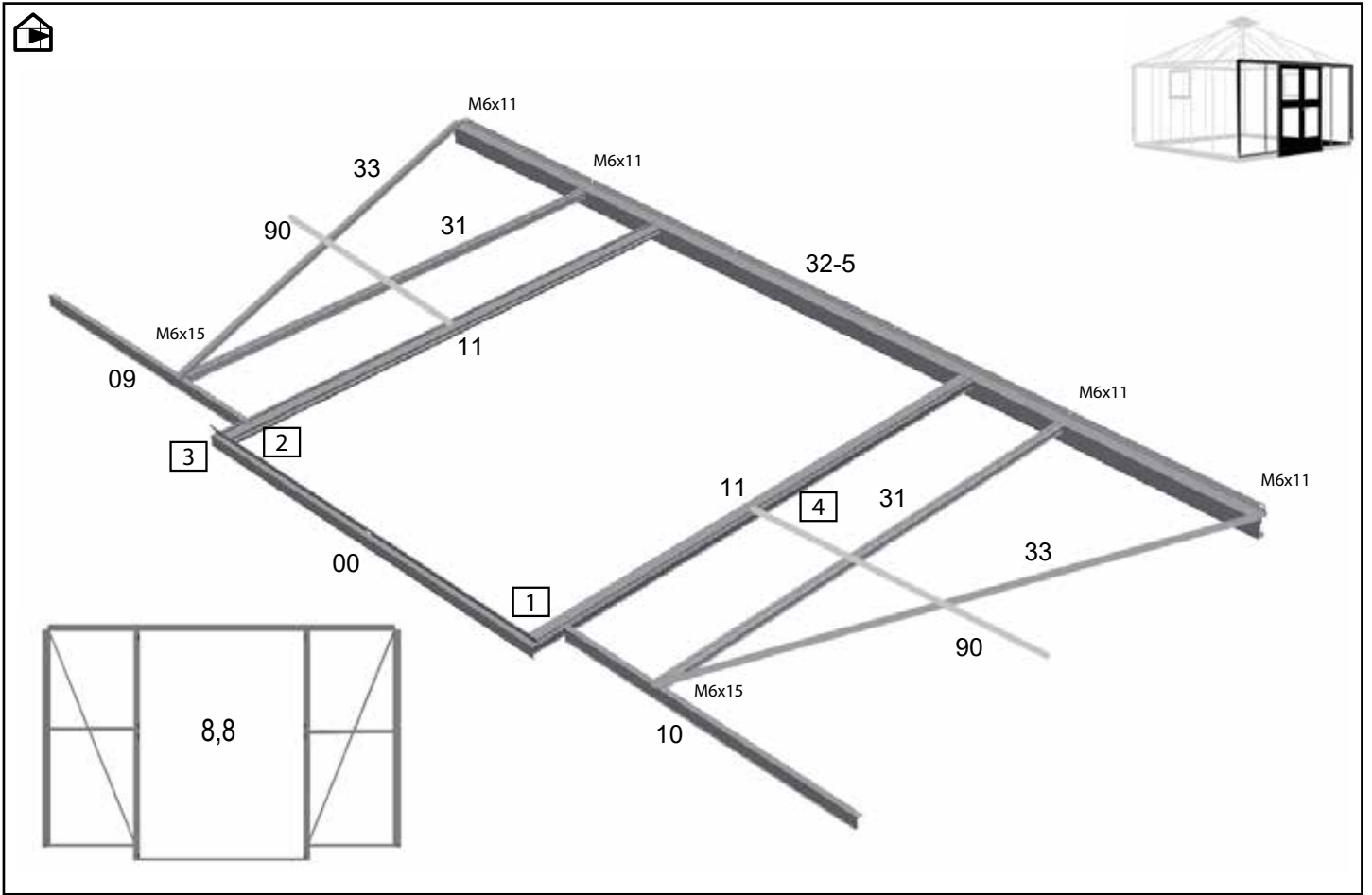


	X	Y	Z	S	D
8,8	2958	2958	4183	741	1470
13,5	3676	3676	5200	1103	1470

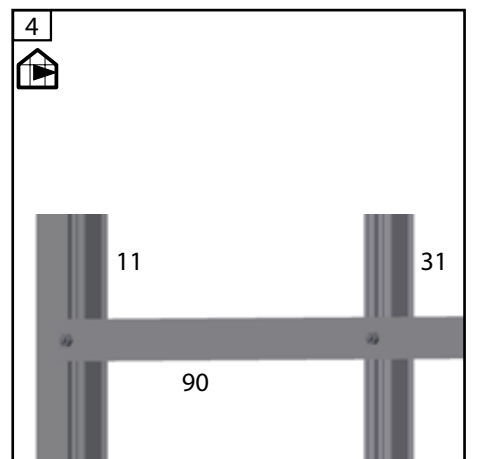
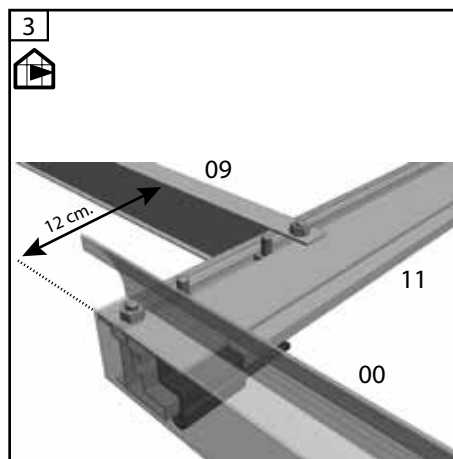
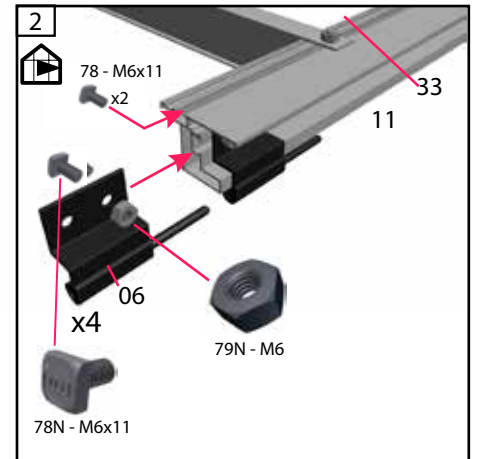
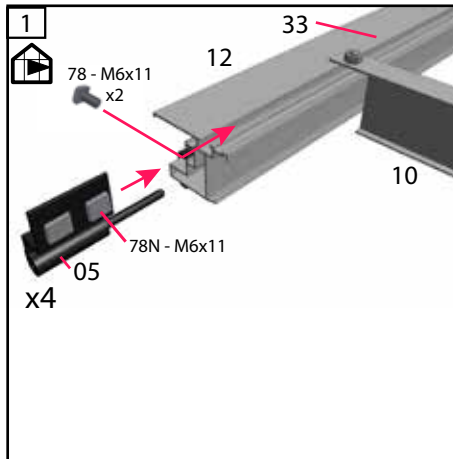
	#	mm	8,8	13,5
[]	741	741	2	
	1100	1100		2
	1468	1468	1	1
	2958	2958	3	
	3676	3676		3
[]	638	4,2x16	10	10
	989	345	4	7
[]	11-1	345	1	1
	11-2	345	1	1
[]	994	M6x10	24	24
	995	M6x40	0	6
[]	996	M6	24	30
	850		9	14



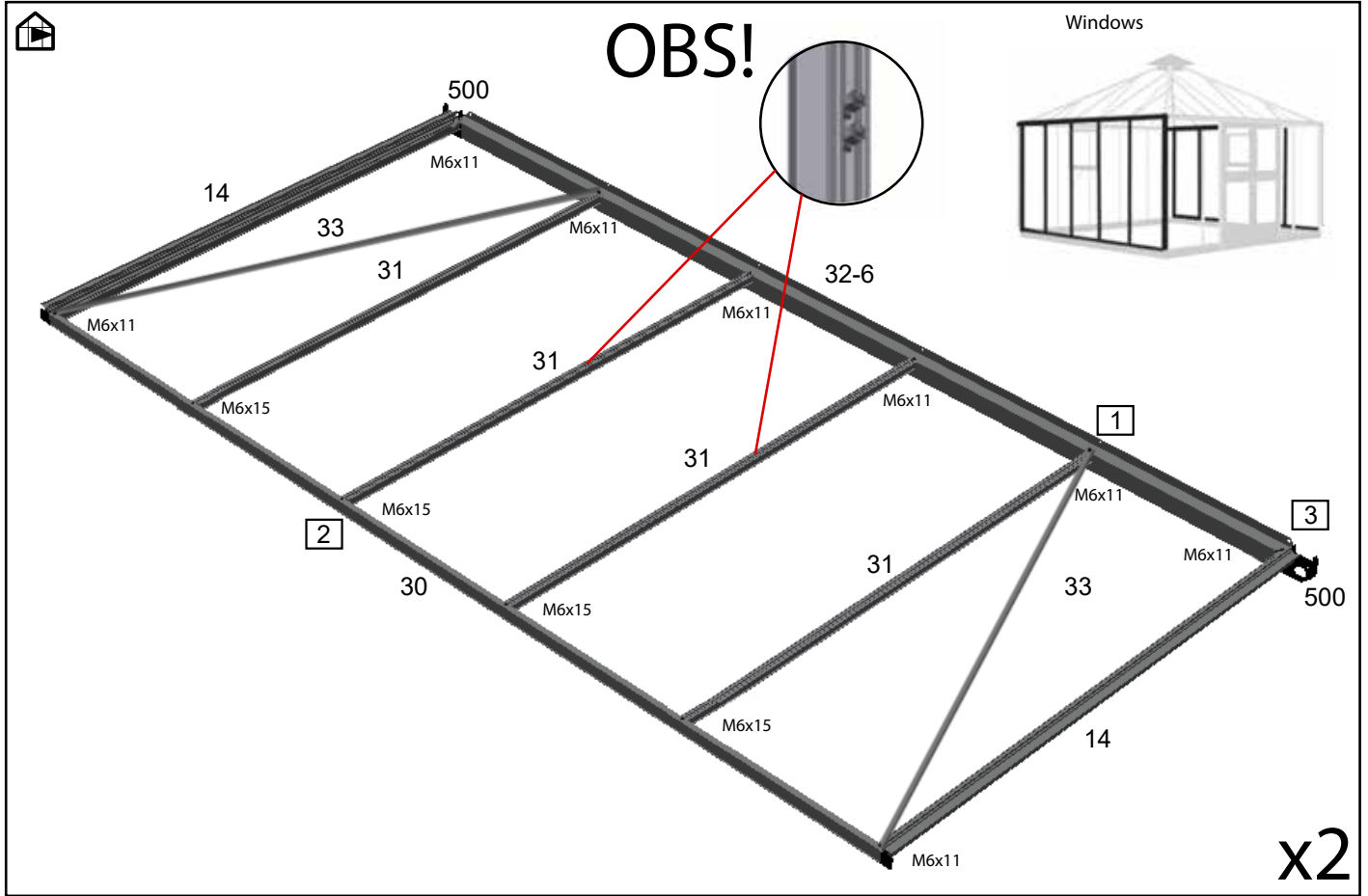
Front gable



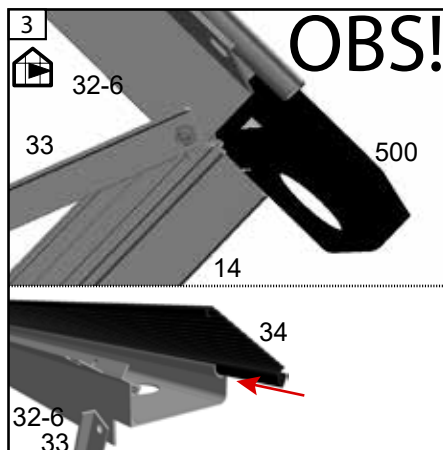
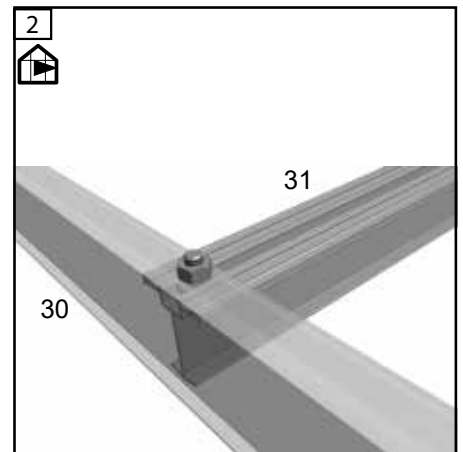
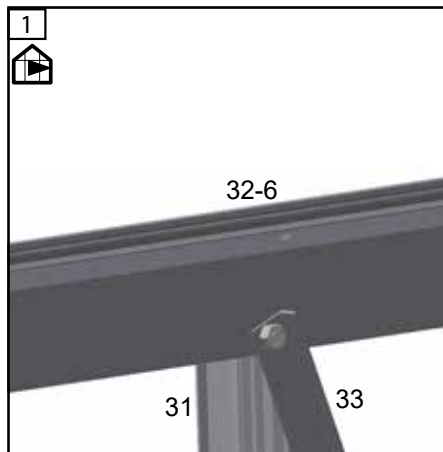
1	#	mm	8,8	13,5	
	00	1468	1	1	
	11	1920	2	2	
	09	742	1		
	09	1101		1	
	10	742	1		
	10	1101		1	
	32	2890	1		
	32-5	3608		1	
	33	1931	2	2	
	34	2890	1		
	34	3648		1	
	90	742	2		
	90	1100		2	
	31	1800		2	



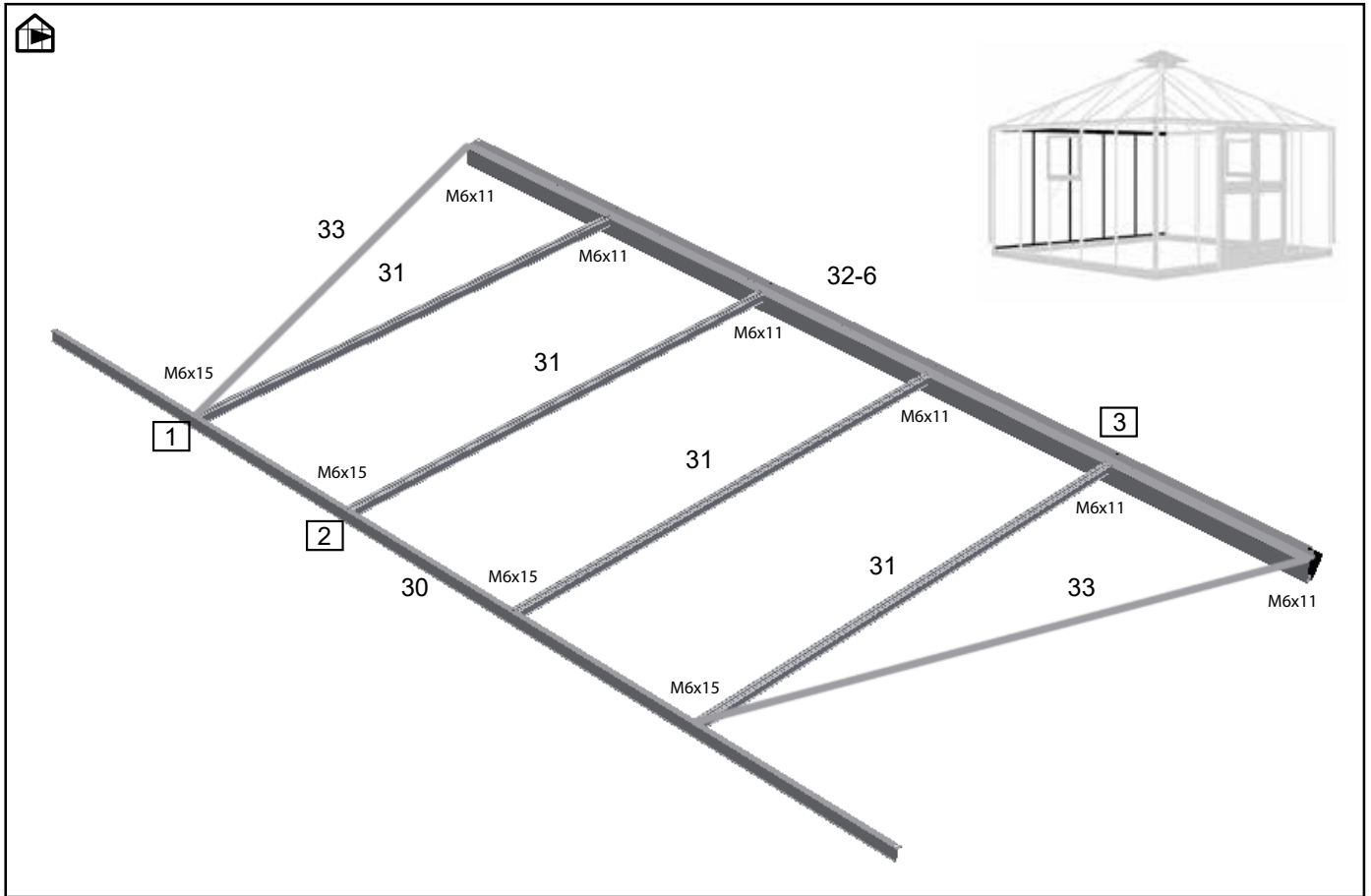
Sides



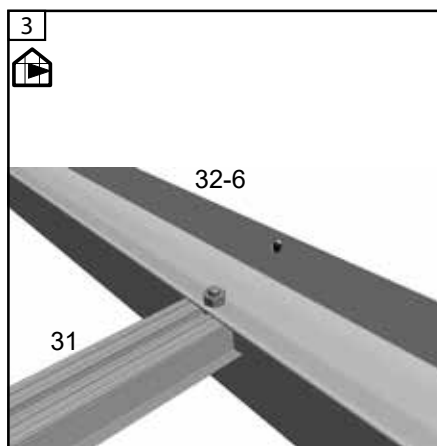
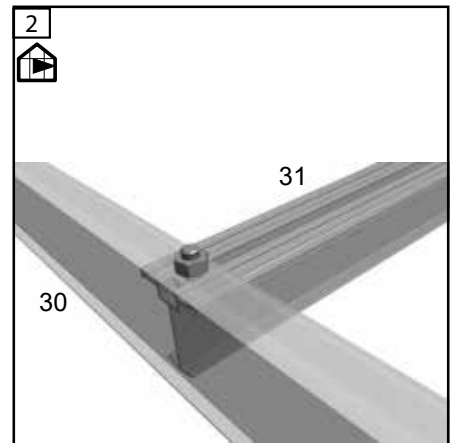
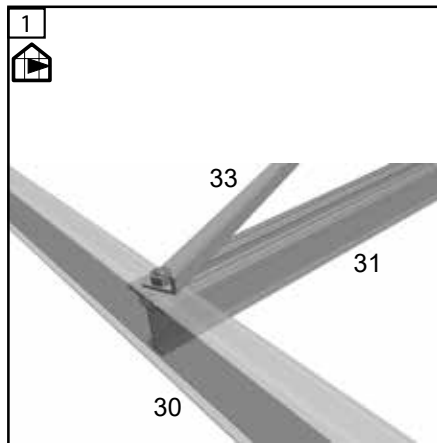
2	#	mm	8,8	13,5	
	30	3614		2	
	30	2896	2		
	31	1800	6	8	
	14	1800	4	4	
	32-6	2890	2		
	32-6	3608		2	
	33	1931	4	4	
	34	2890	2		
	34	3658		2	
	500			4	



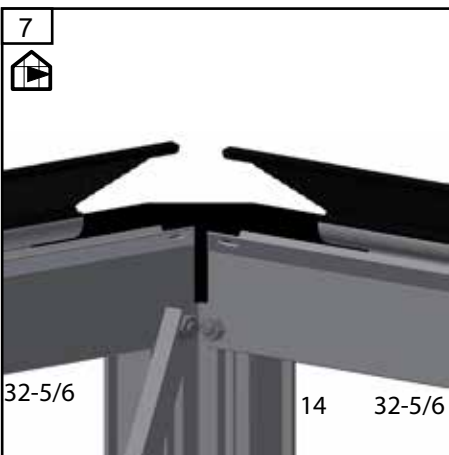
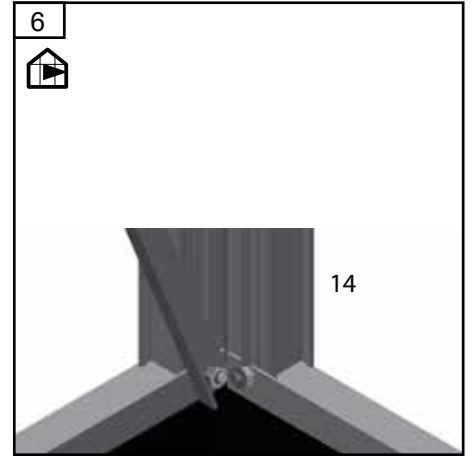
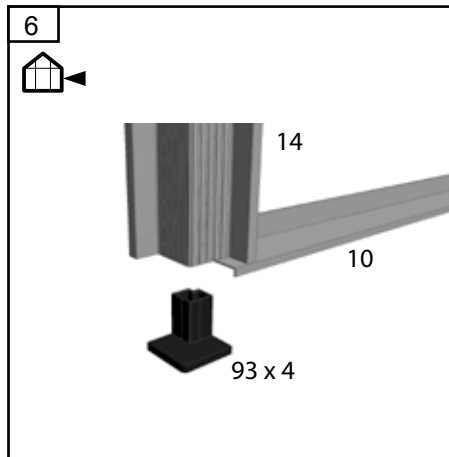
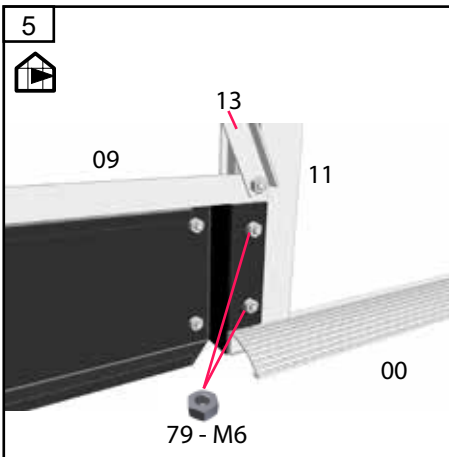
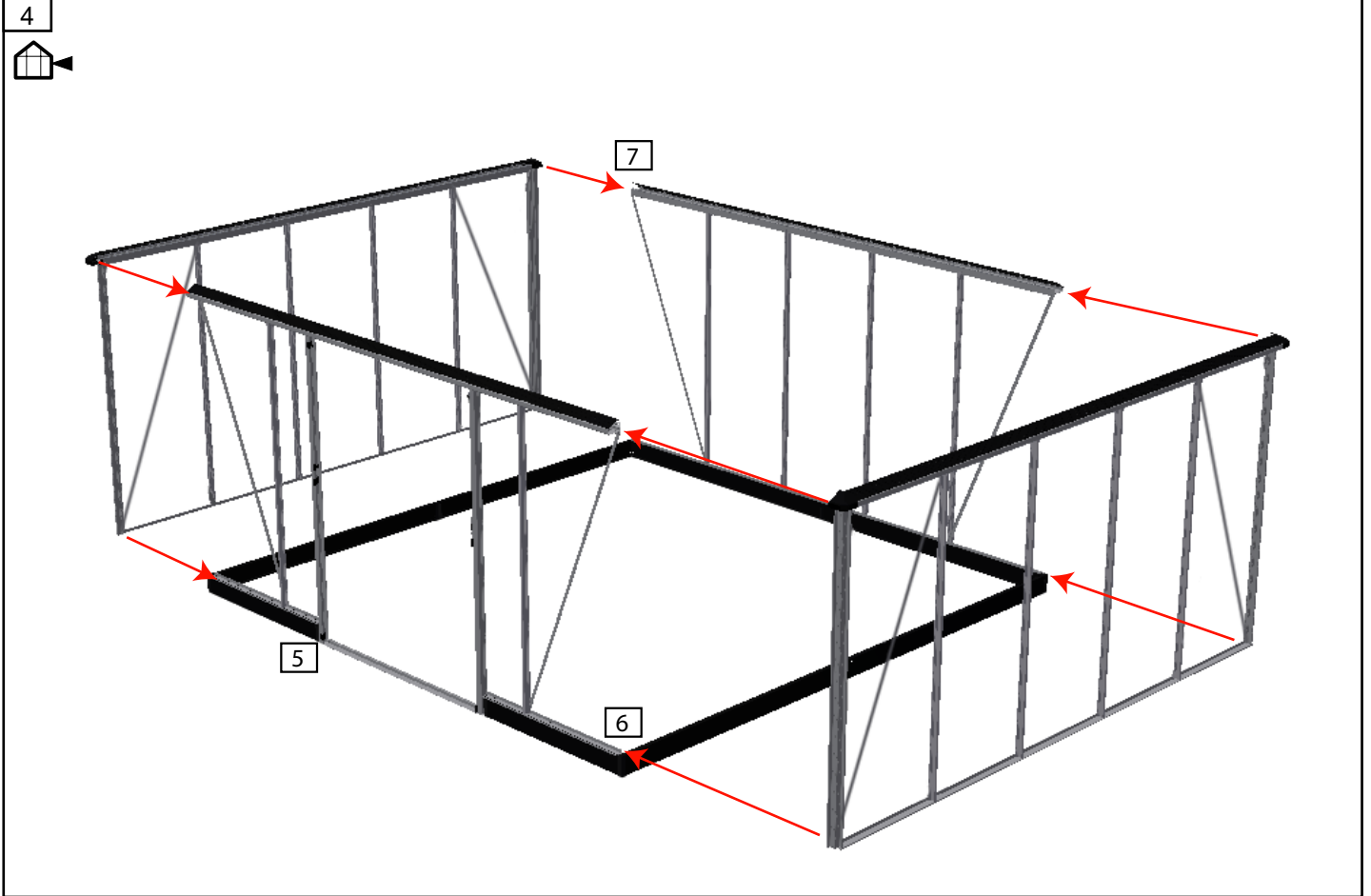
Rear gable



3	#	mm	8,8	13,5
	30	2896	1	
	30	3614		1
	31	1800	3	4
	32-6	2890	1	
	32-6	3608		1
	33	1931	2	2
	34	2890	1	
	34	3658		1

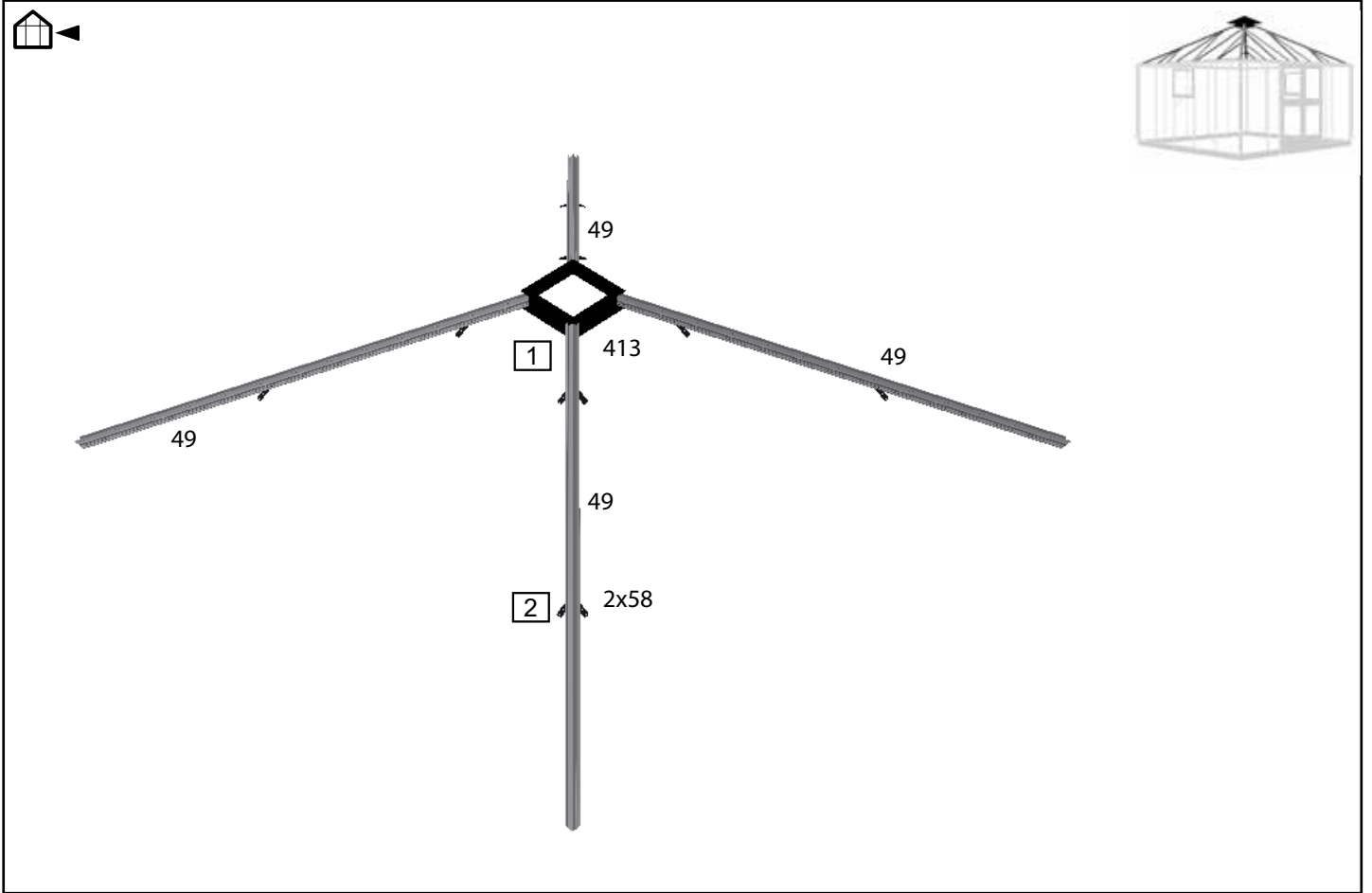


Sides

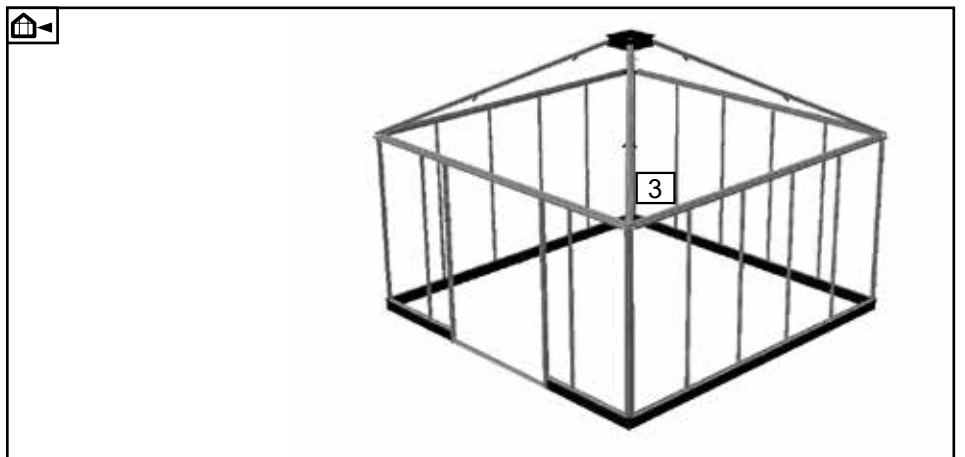
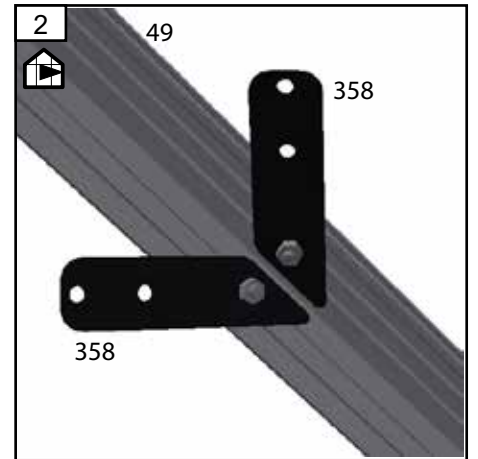
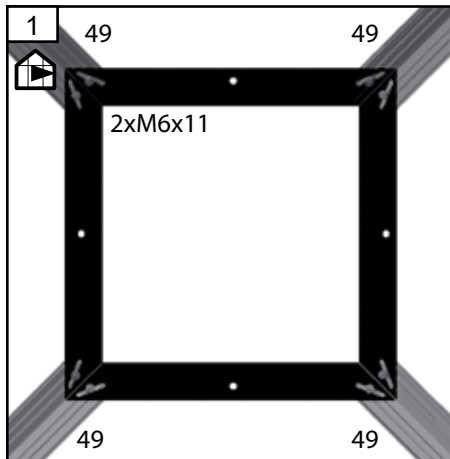


3	#	mm	8,8	13,5	
	93		4	4	

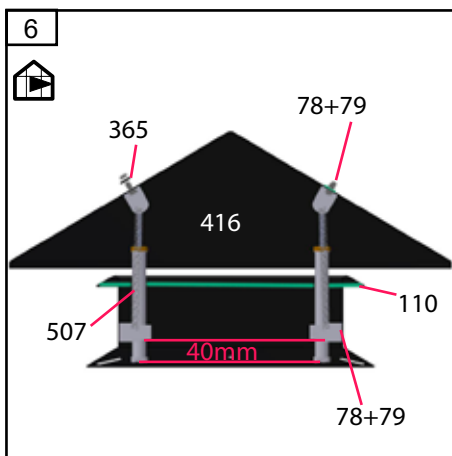
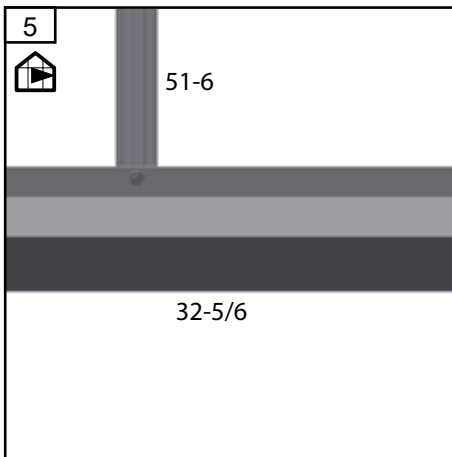
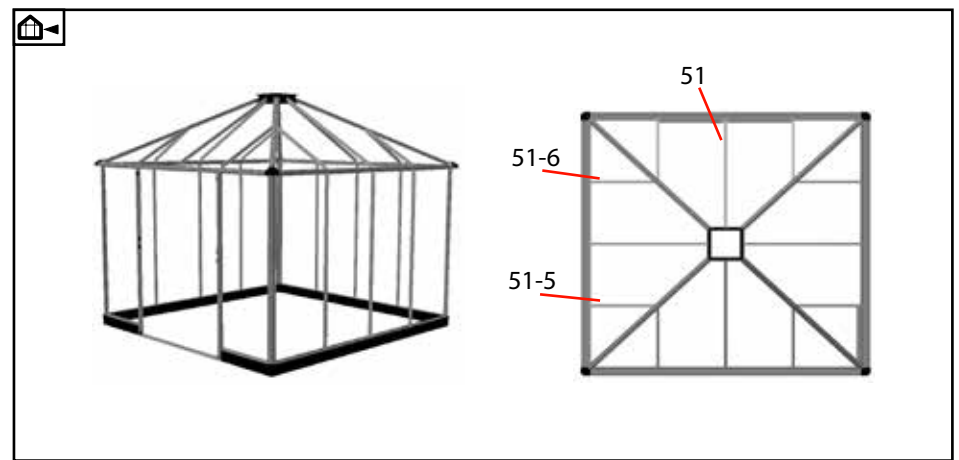
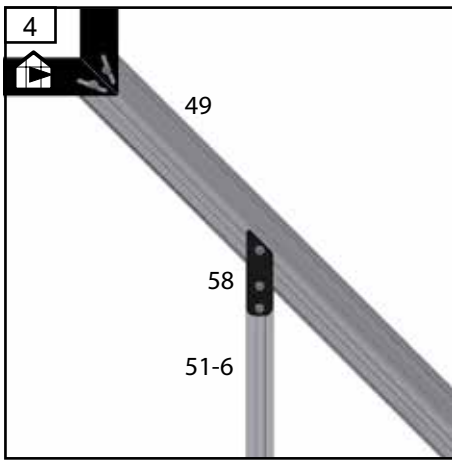
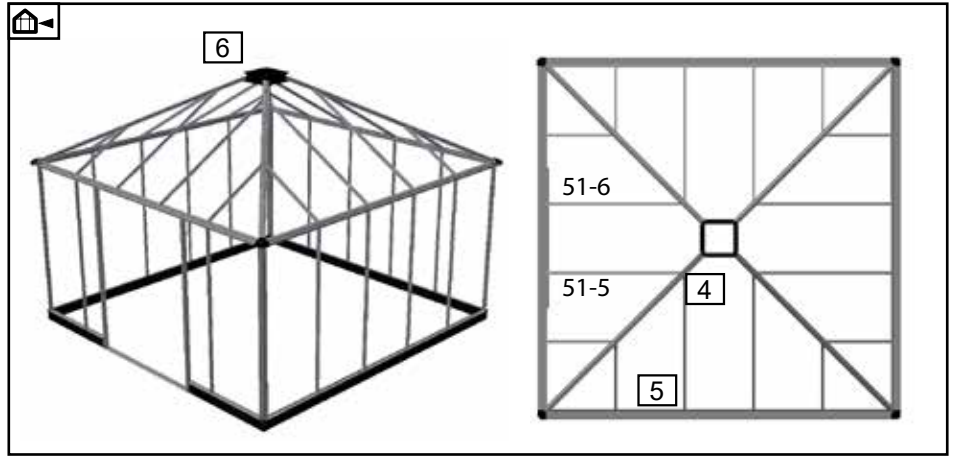
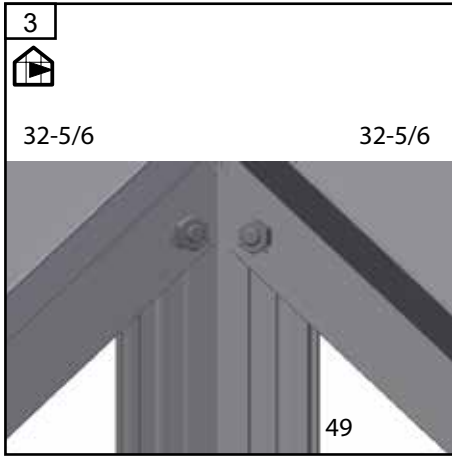
Roof



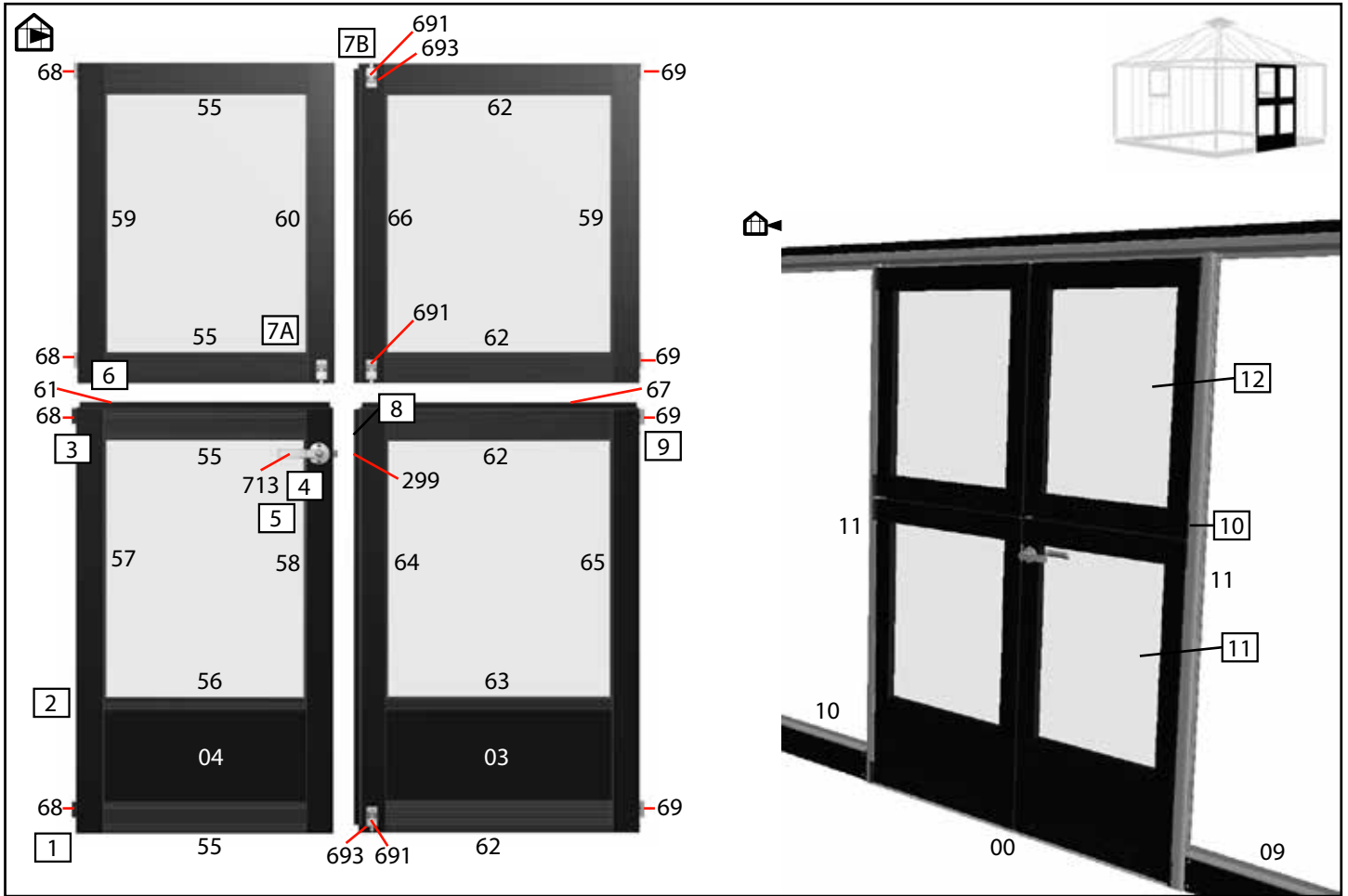
4	#	mm	8,8	13,5	
	49	2544		4	
	49	1993	4		
	358		8	16	
	51-5	813	4	4	
	51-5	1643		4	
	51-6	813	4	4	
	51-6	1643		4	
	51	1500	4		
	507		2	2	
	414		1	1	
	413	390x390	1	1	



Roof

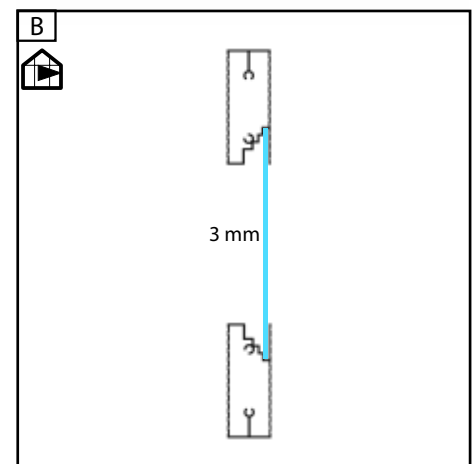
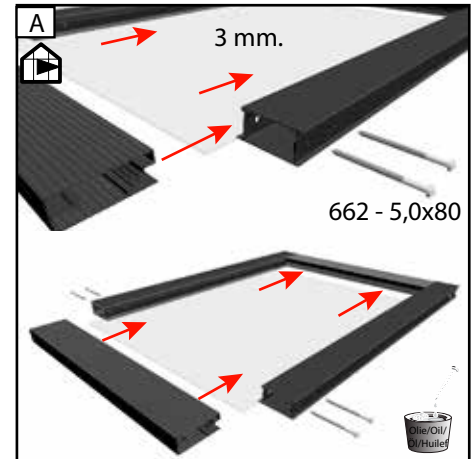


Door

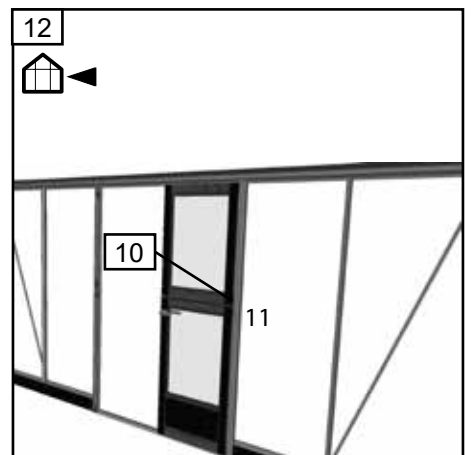
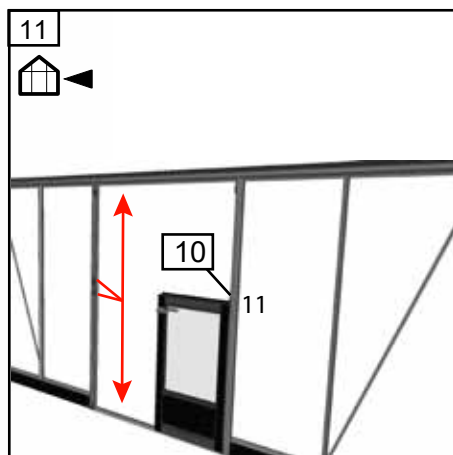
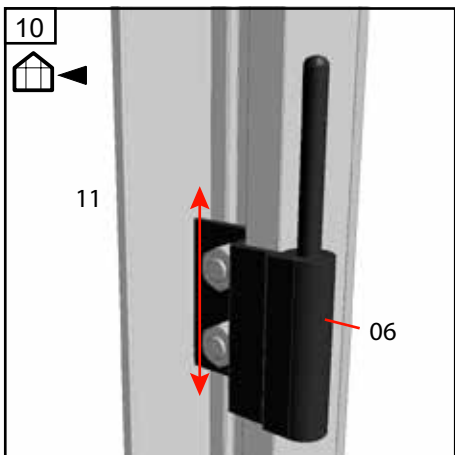
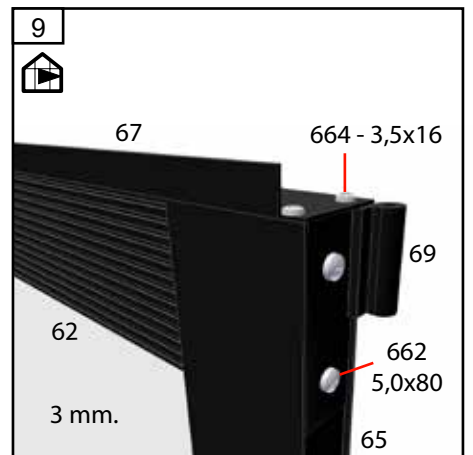
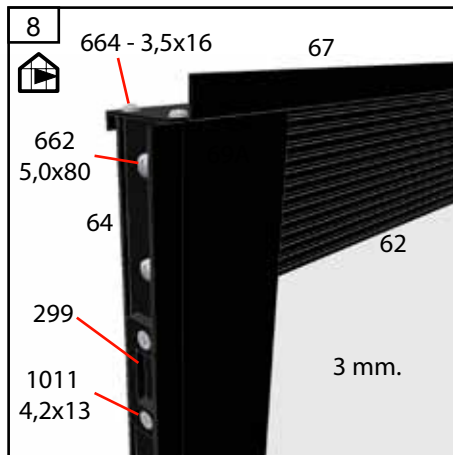
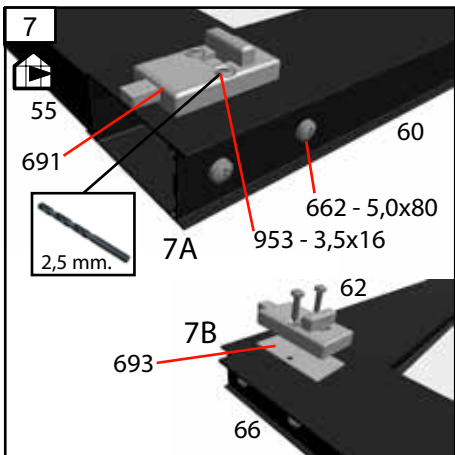
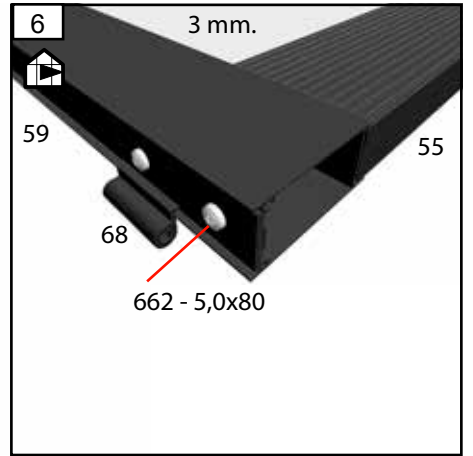
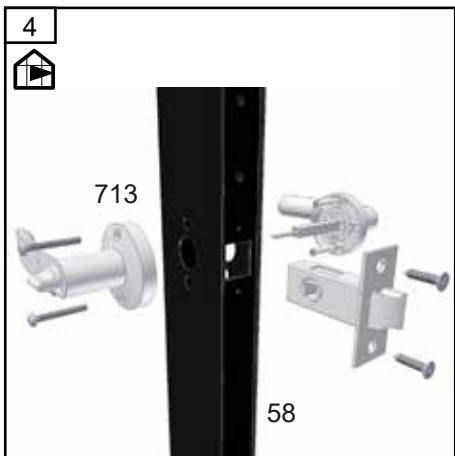
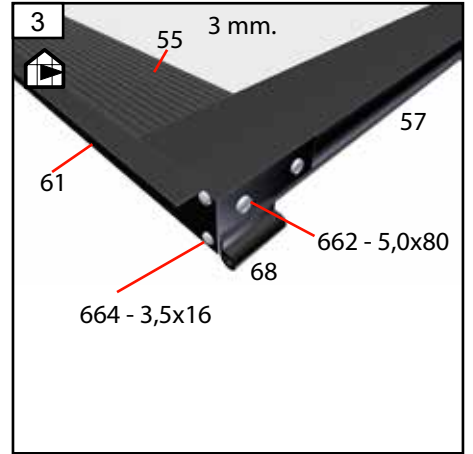
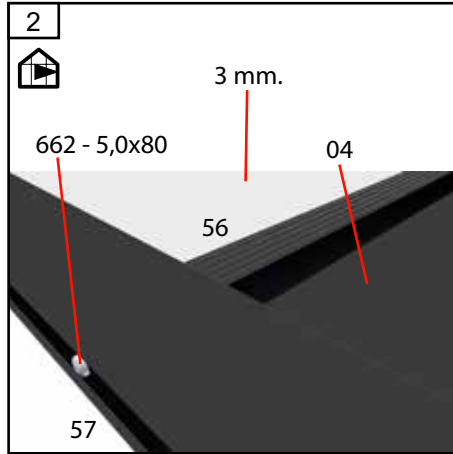
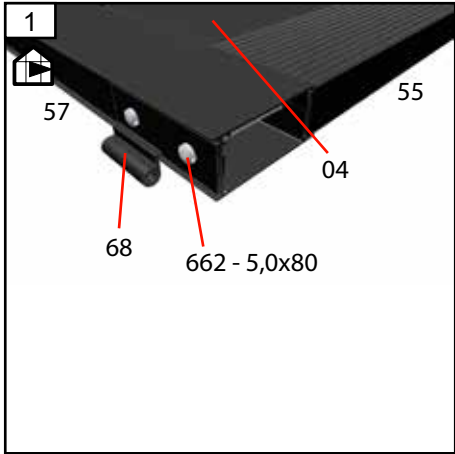


5	#	mm	
	55	517	4
	56	517	1
	57	1075	1
	58	1075	1
	59	812	2
	60	812	1
	61	651	1
	62	578	4
	63	578	1
	64	1075	1
	65	1075	1
	66	812	1

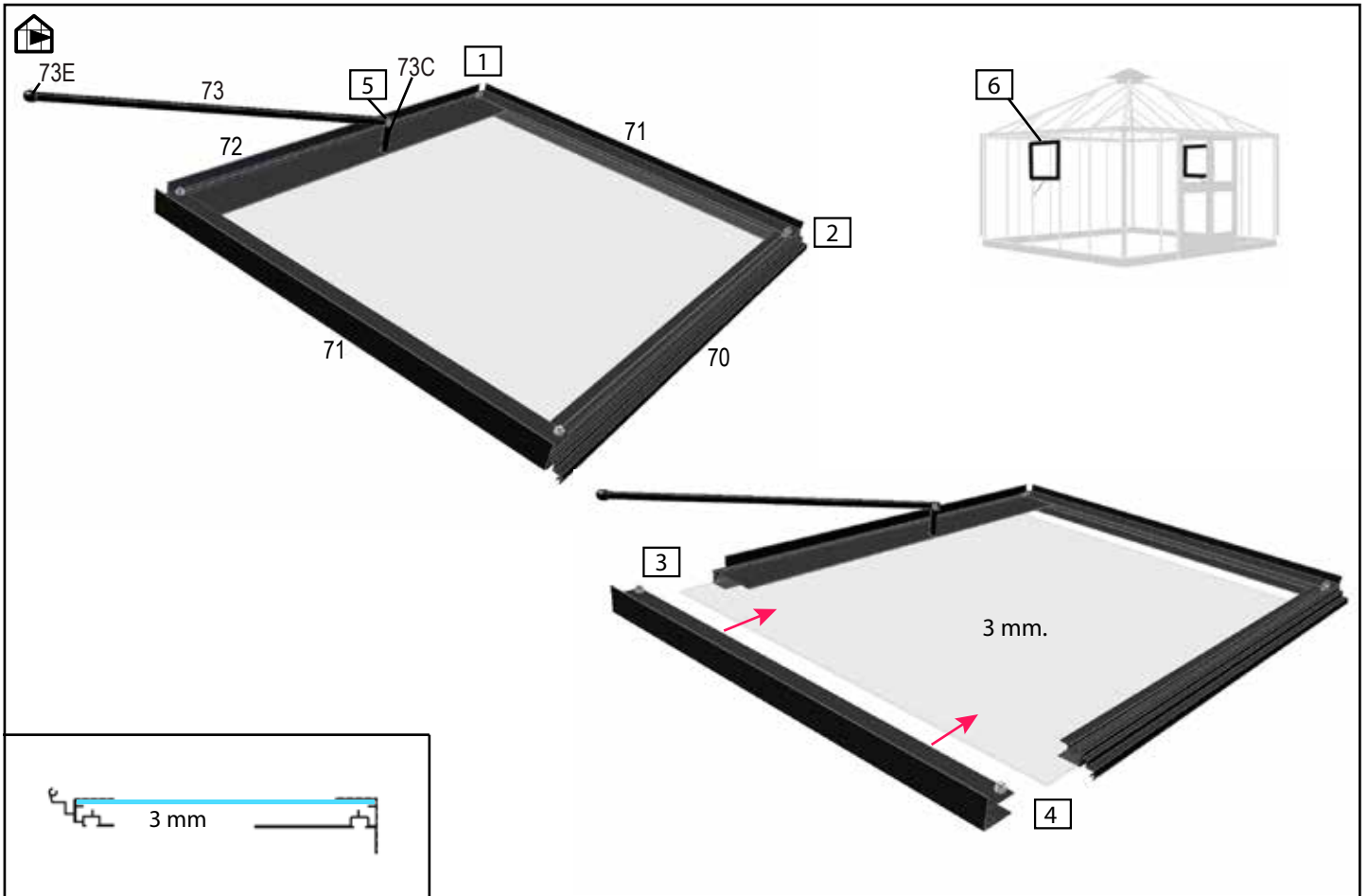
5	#	mm	
	67	712	1
	68		4
	69		4
	299		1
	691		4
	693		2
	713		1
	662	5x80	36
	953	3,5x16	8
	664	3,5x16	12
	1011	4,2x13	2
	03	261x578	1
	04	261x517	1



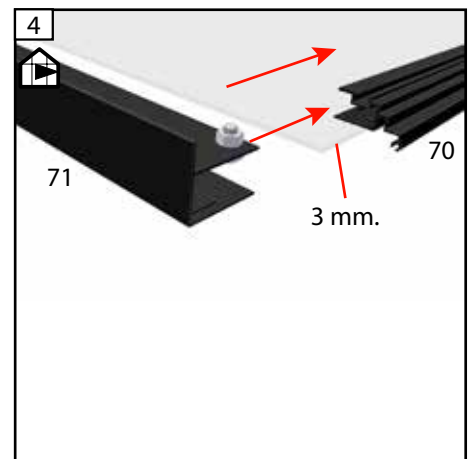
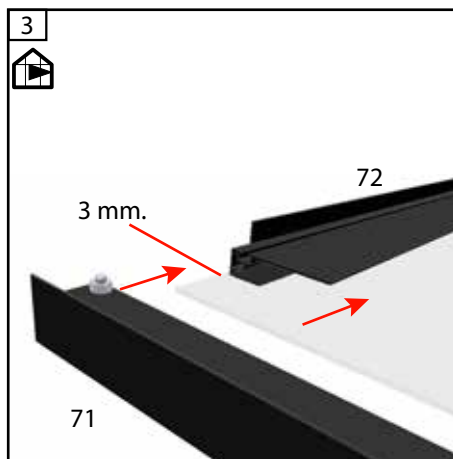
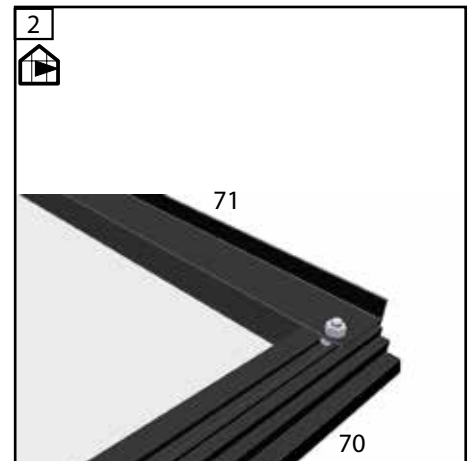
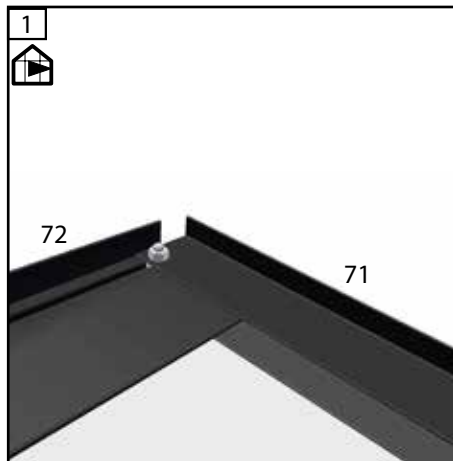
Door



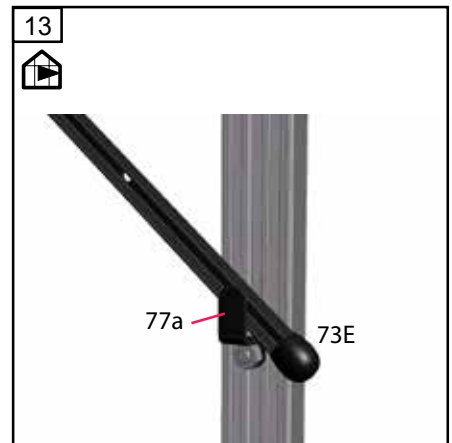
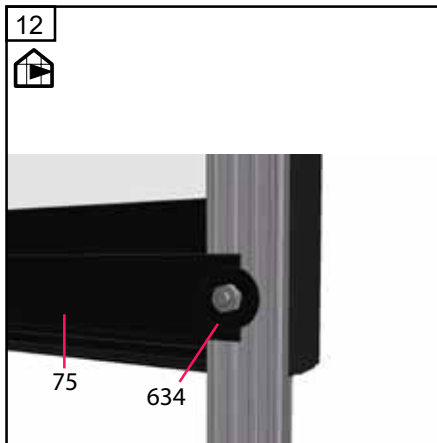
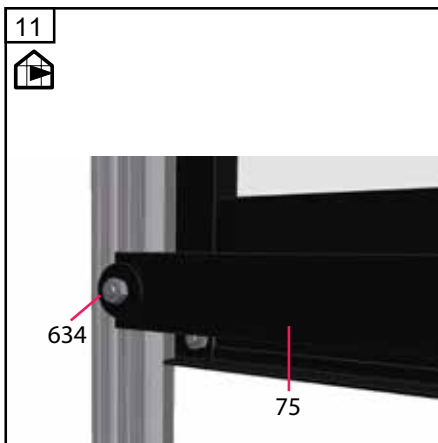
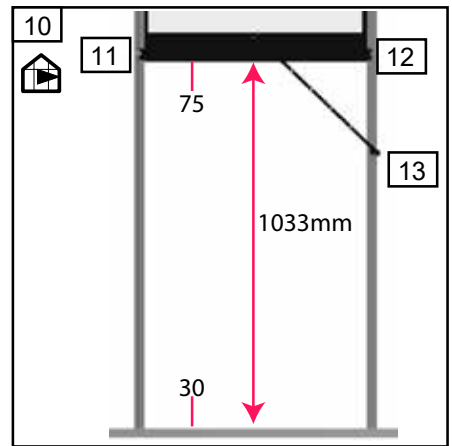
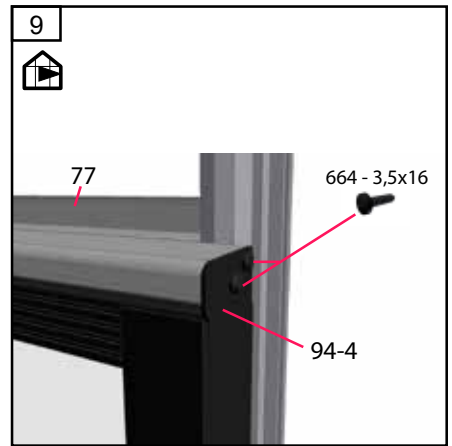
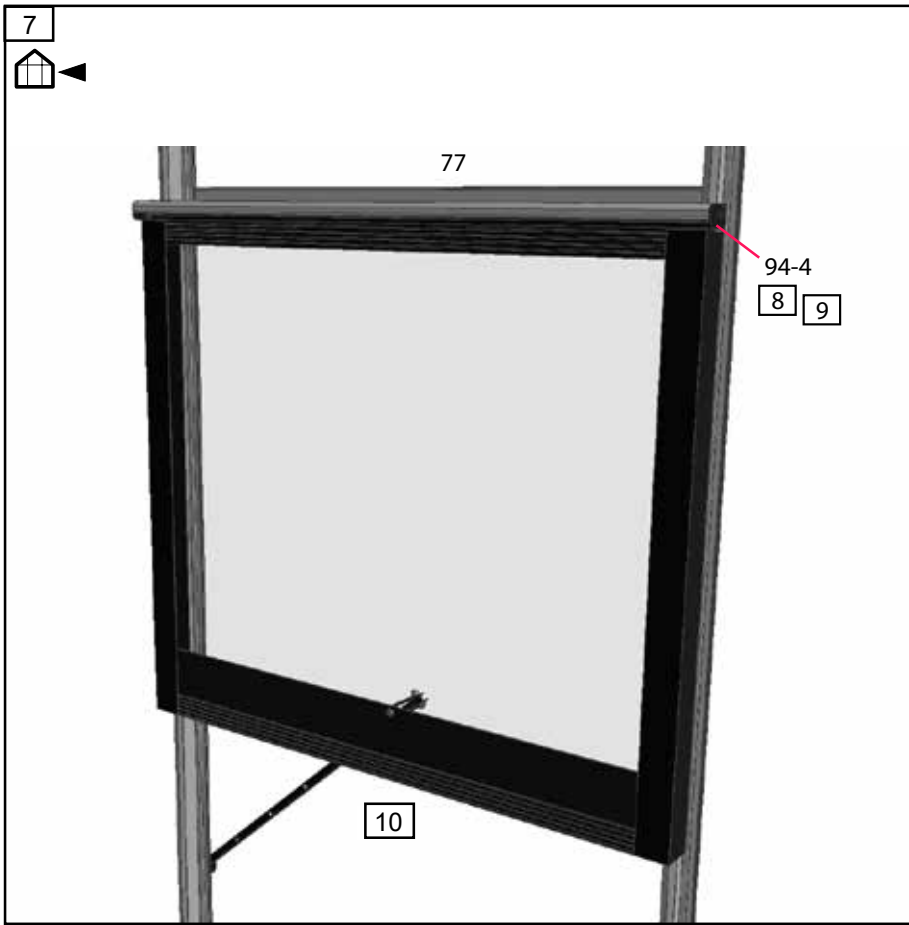
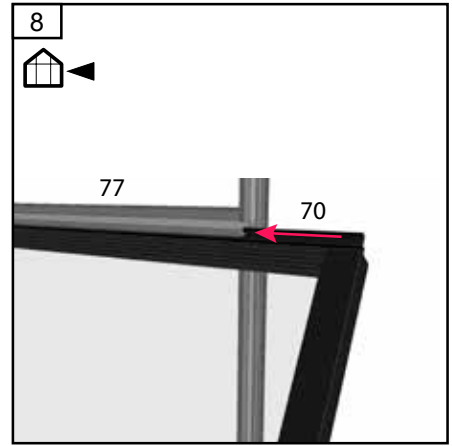
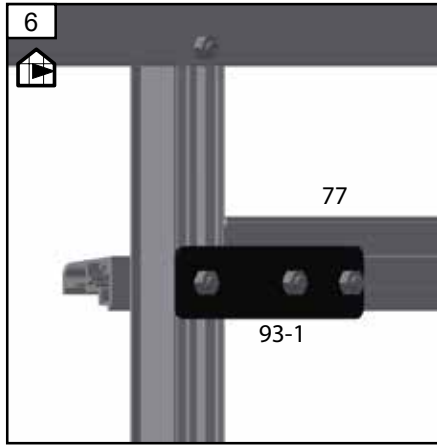
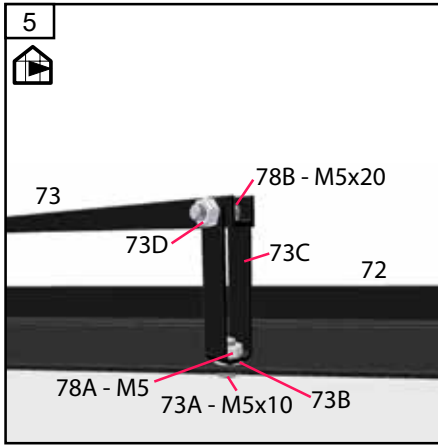
Windows



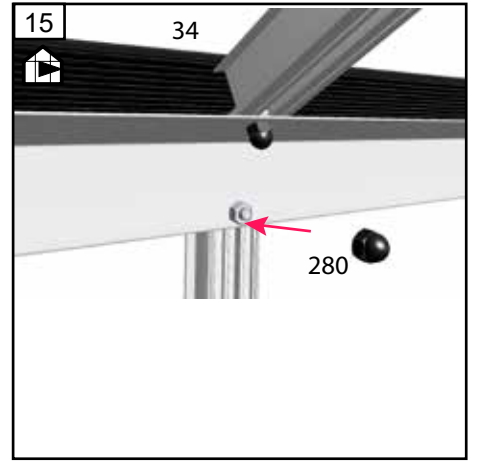
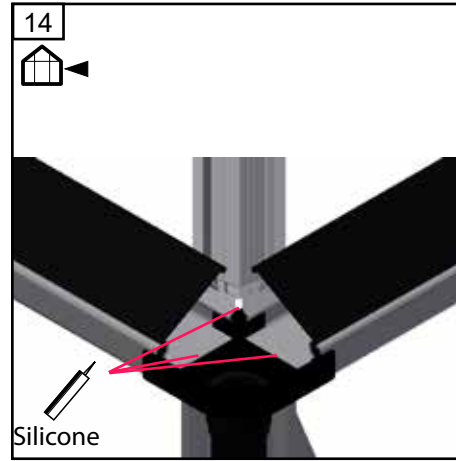
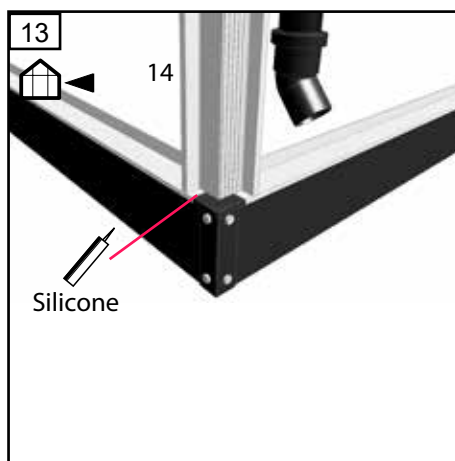
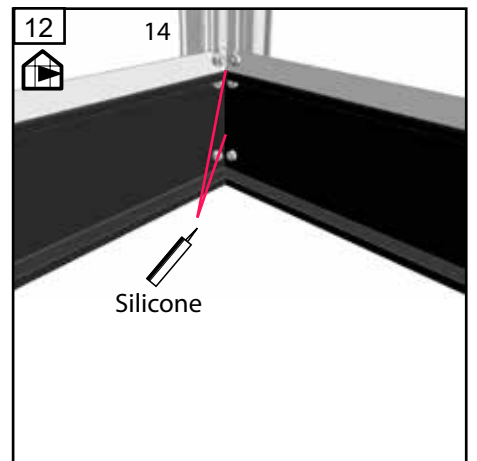
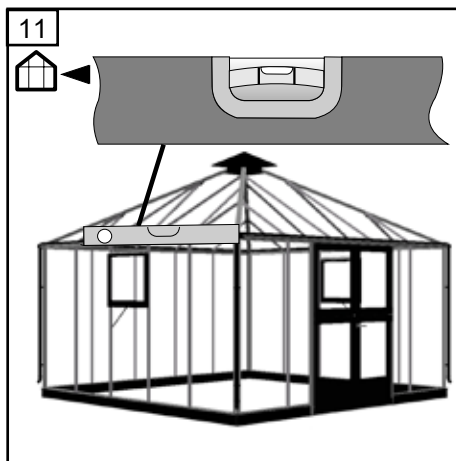
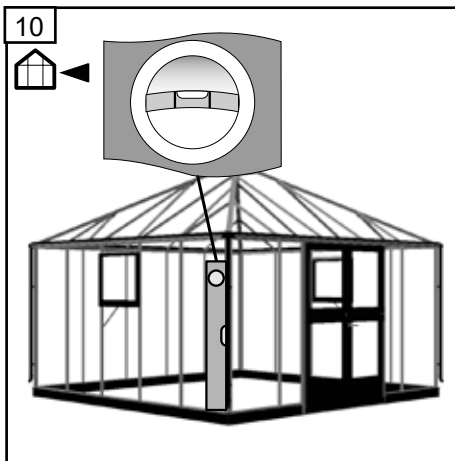
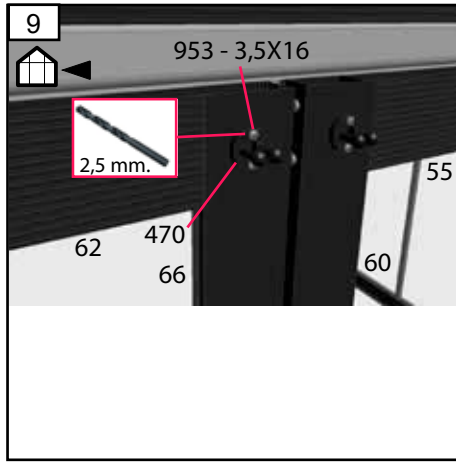
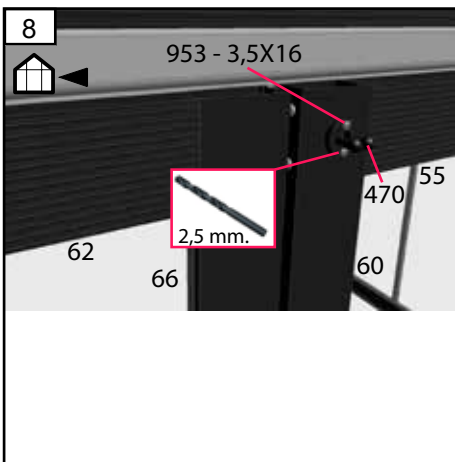
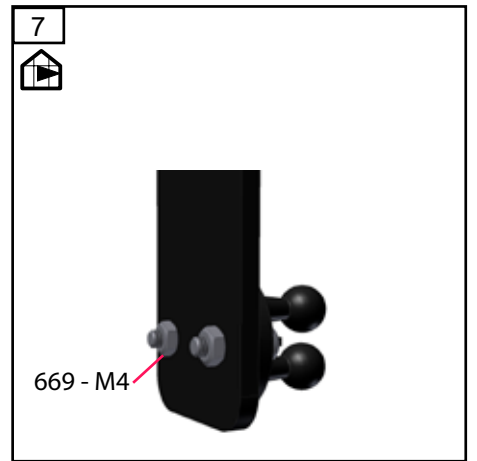
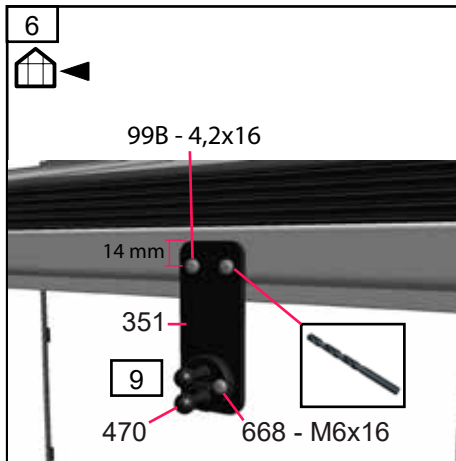
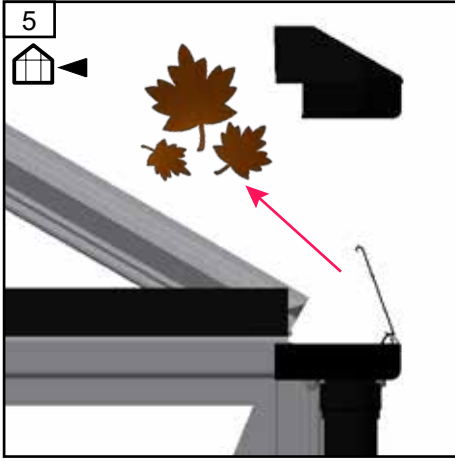
6	#	mm	
	70	738	2
	71	611	4
	72	738	2
	73	510	2
	73C		2
	73E		2
	75		2
	77a		2
	634		4
	93-1		4
	664S		8
	94-4		4



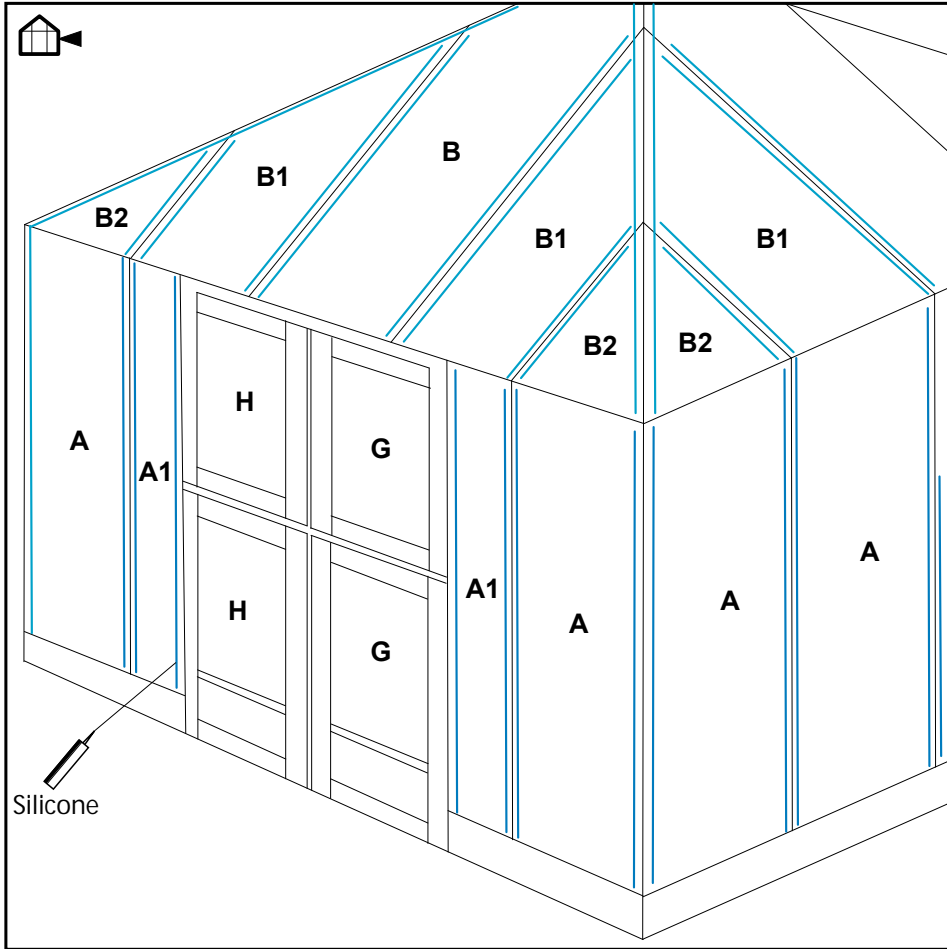
Windows



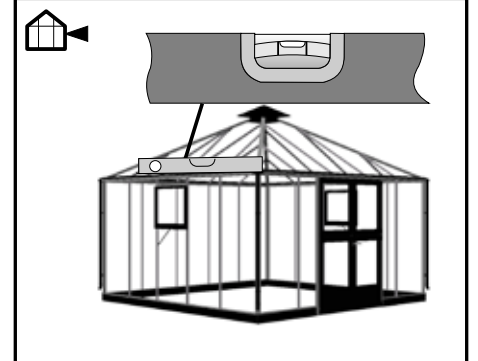
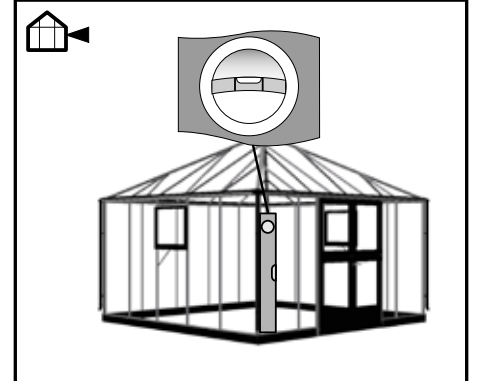
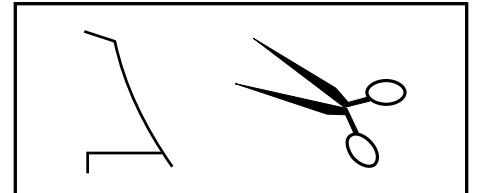
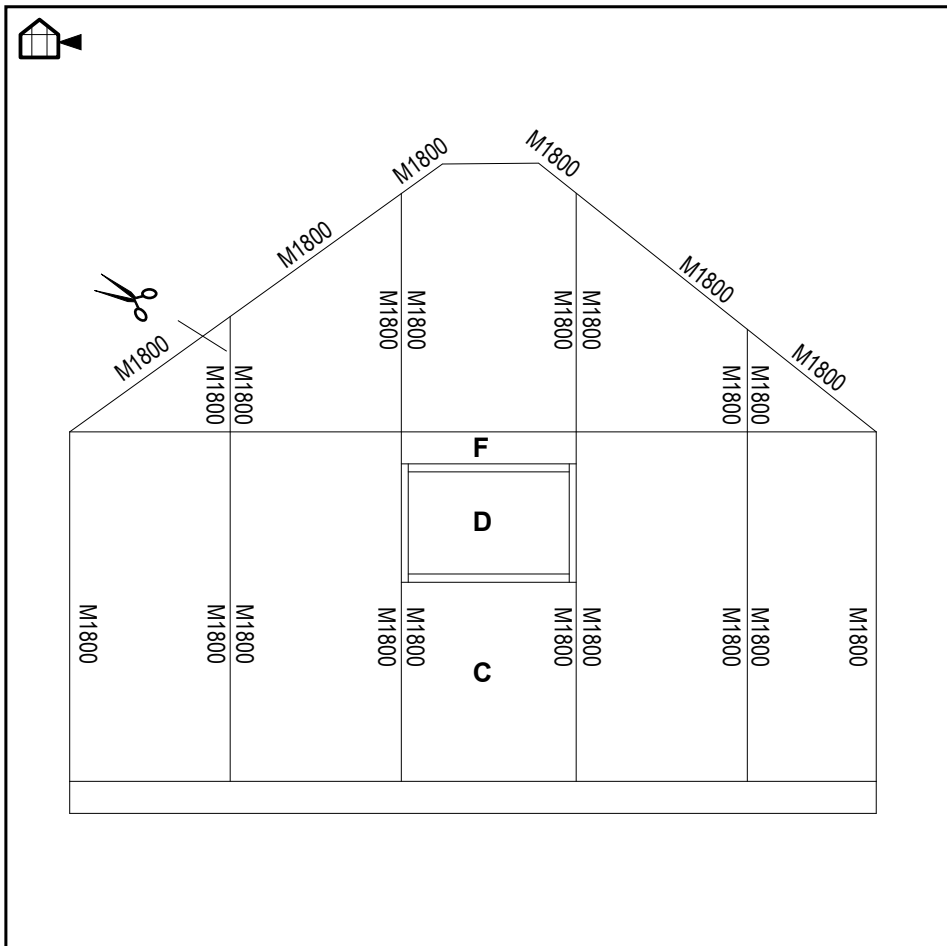
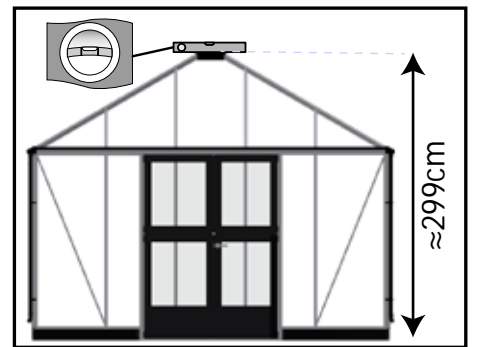
Downpipe



3 mm. Tempered glass

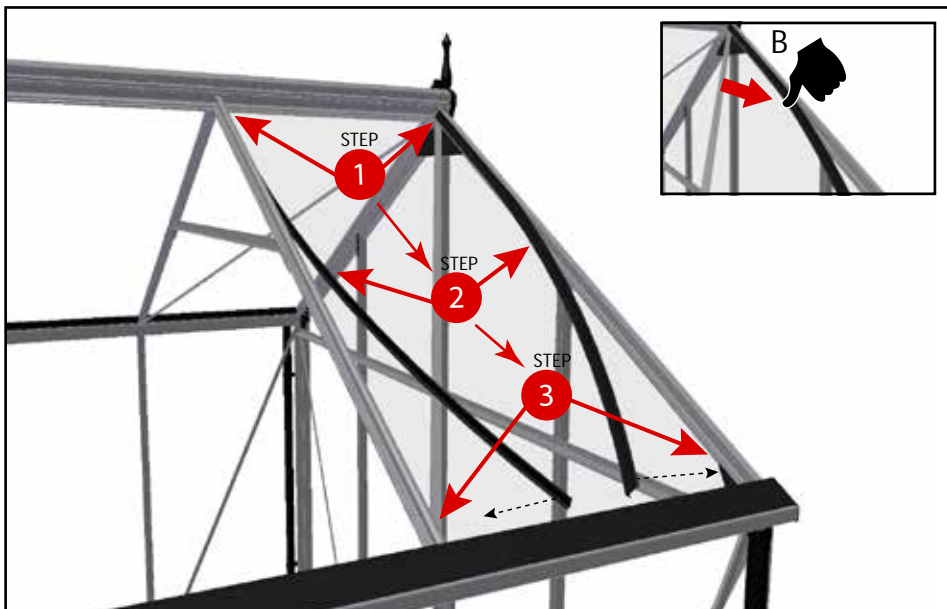
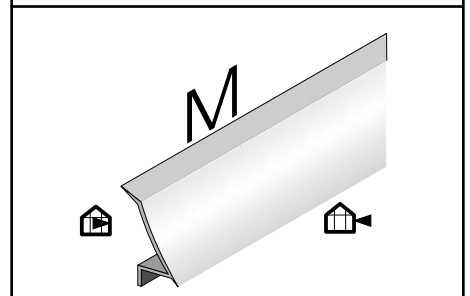
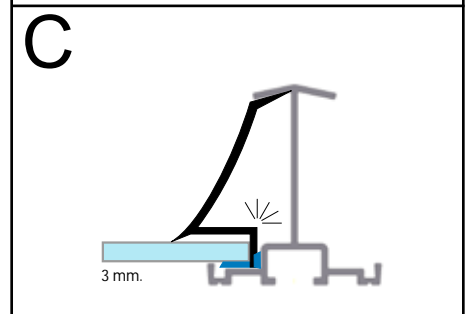
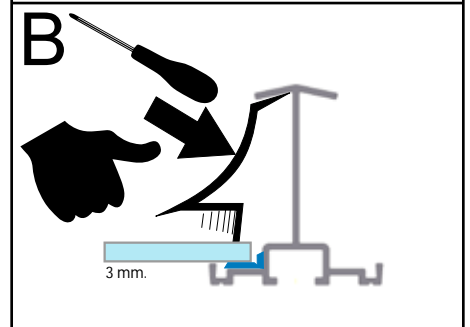
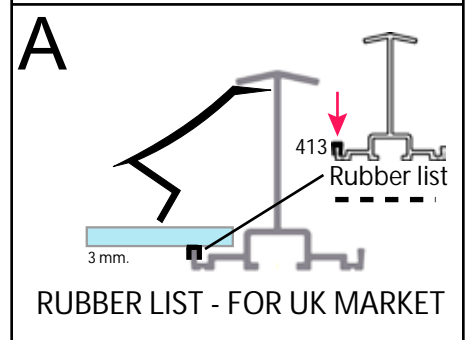
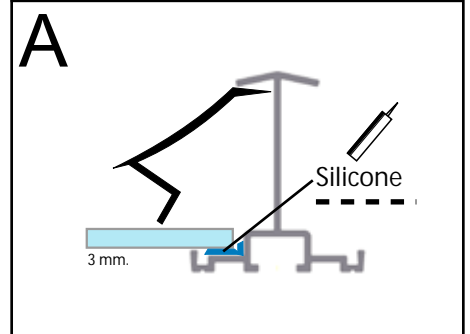
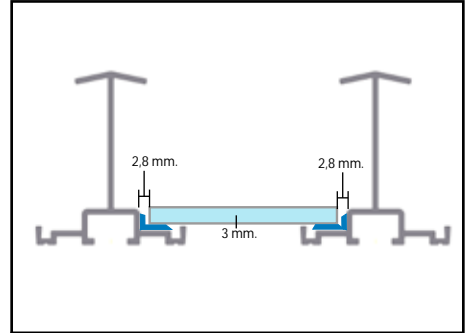


	#	mm	13,5
	M	1800	80
	350	—	6

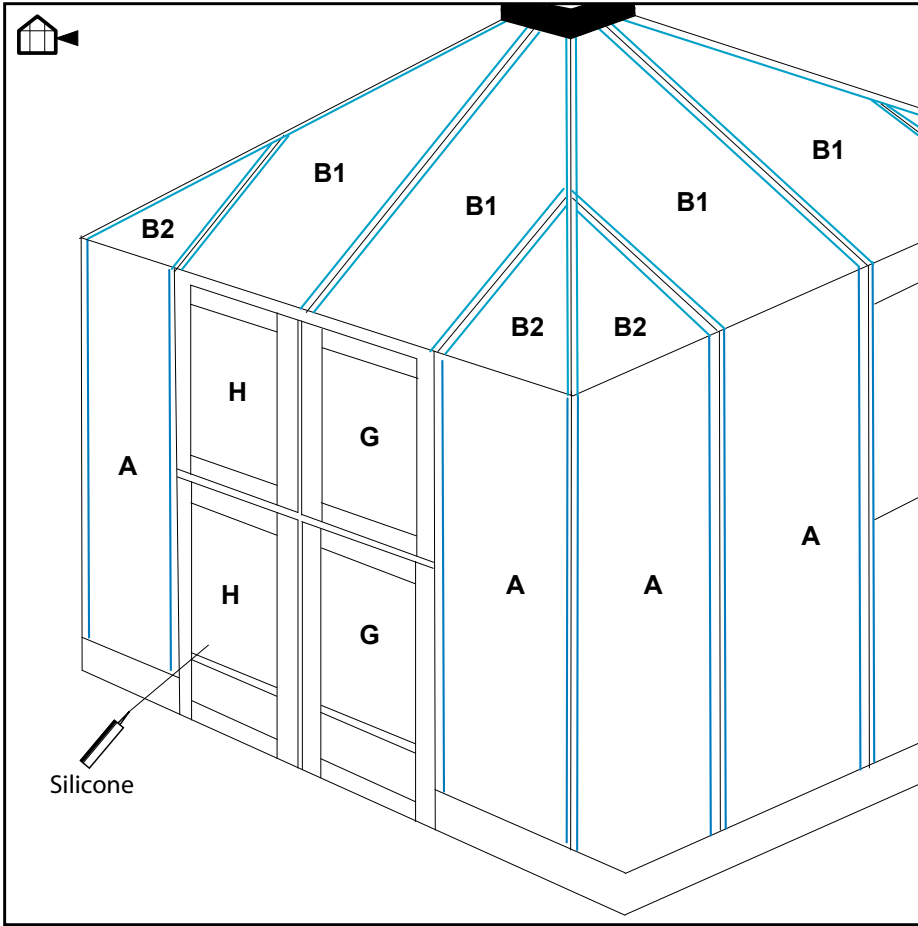


3 mm. Tempered glass

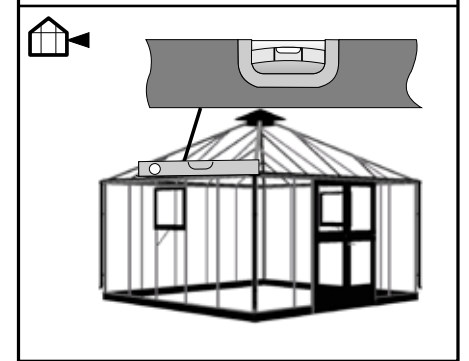
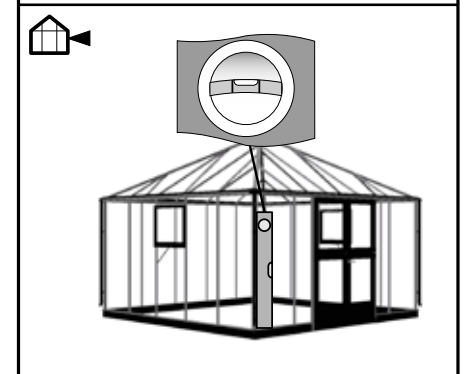
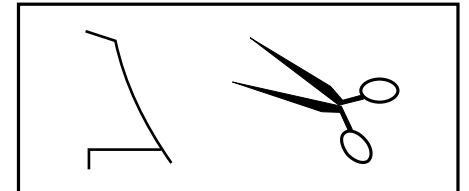
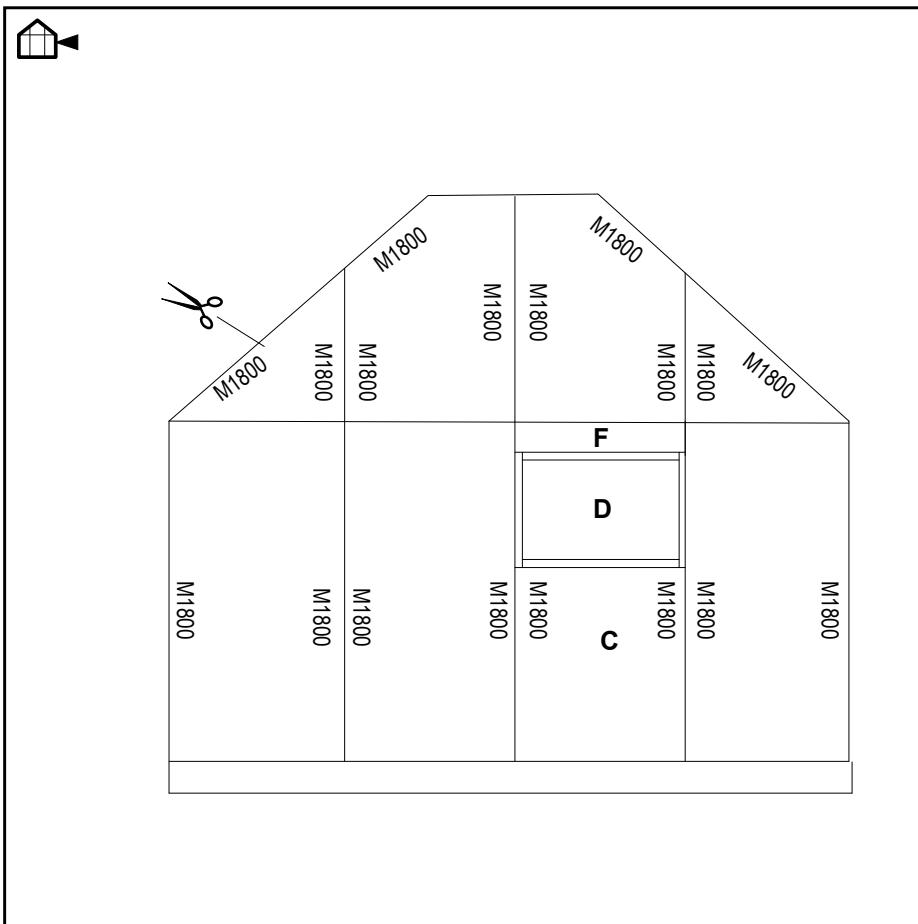
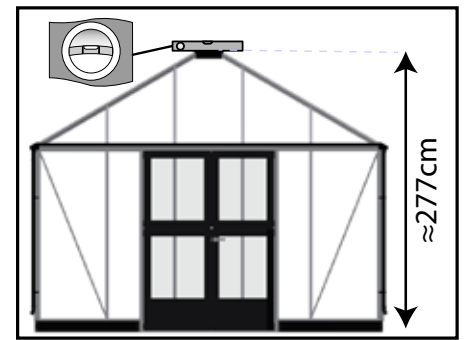
	#	3 mm		13,5	
	A	700 x 1797		15	
	A1	341 x 1797		2	
	C	700 x 1072		2	
	D	700 x 610		2	
	B	700x1646/1910x240x1910\1646		4	
	B1	700x1620/810		8	
	B2	687x790/0		8	
	F	700x115		2	
	G	517 x 700		2	
	H	578 x 700		2	











3 mm. Tempered glass

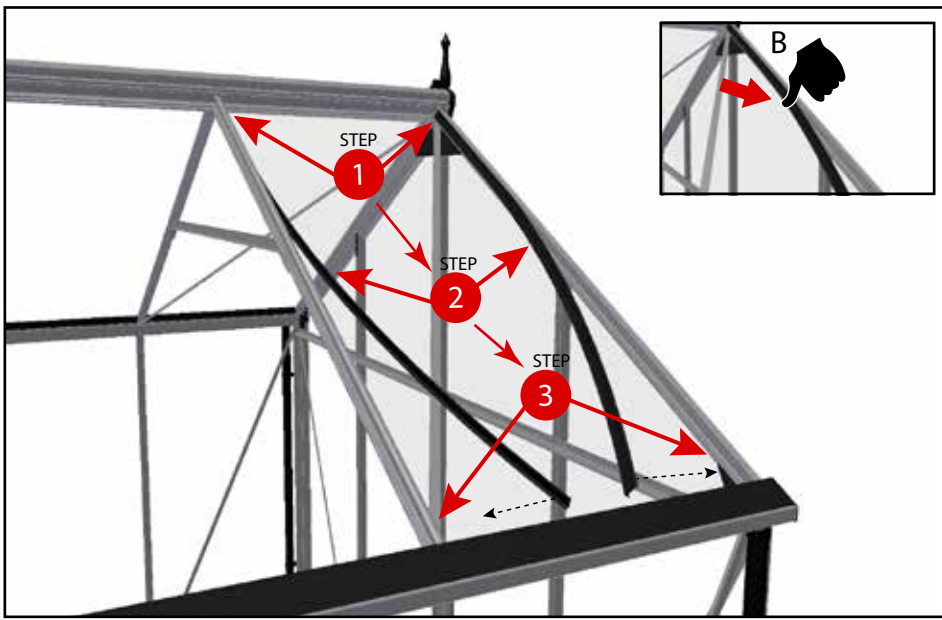
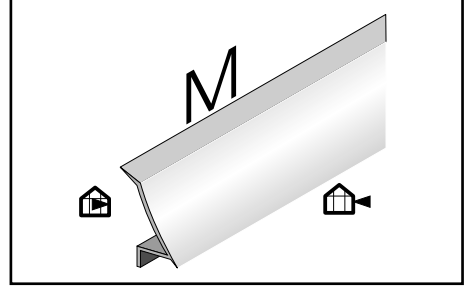
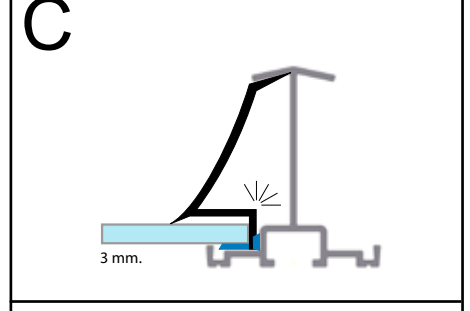
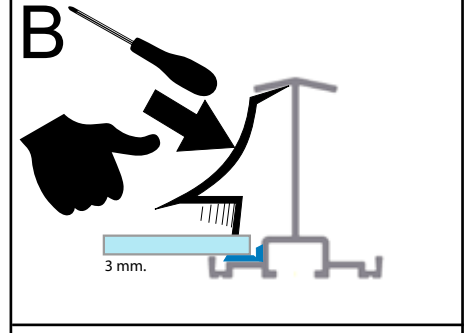
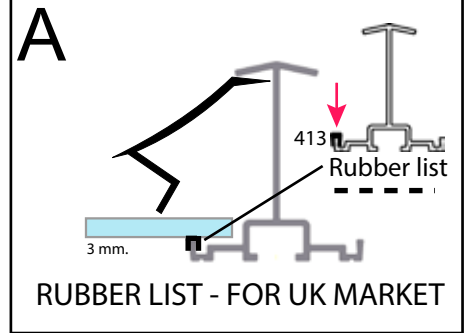
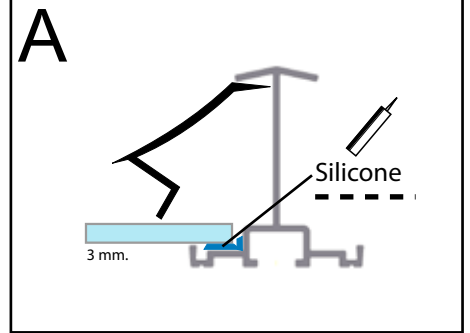
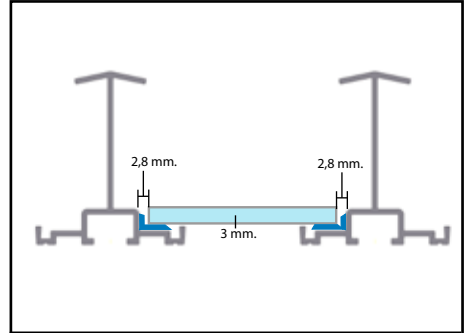


	#	mm	8,8	
	M	1800	60	
	350		5	



3 mm. Tempered glass

	#	3 mm		8,8	
	A	700 x 1797		12	
	B1	700 x 1482/810		4	
	B2	687x790/0		8	
	C	700 x 1072		2	
	D	700 x 610		2	
	F	700x115		2	
	G	517 x 700		2	
	H	578 x 700		2	



Overview

#	Part number	#	Part number	#	Part number	#	Part number	#	Part number
00	13-20301468-00	66	13-20230812-66S	691	00300691	3 mm. - Hærdet glas - Tempered glass - Sicherheitsglas		Fundament - Foundation - Fondement	
03	00310339S	67	13-10020712-67S	693	00300693	A	00281528	1100	00511100S
04	00310340S	68	13-20200080-68S	713	00300713	A1	00281534	1468	00511468S
05	13-20210040-05S	69	13-20200080-69S	958	00401007	B	00281535	3676	00513676S
06	13-20210040-06S	70	13-20250738-70S	995	00500995	B1 / 8,8 B1 / 13,5	00281546 00281536	11-1	00310341S
09	13-10021101-09	71	13-20270611-71S	996	00500996	B2	00281537	11-2	00310342S
10	13-10021101-10	72	13-20260738-72S	1011	00401011	C	00281503	638	00300638
11	13-20151920-11	73	13-10530510-73S	2995	00310299S	D	00281504	850	00500992S
14	13-20141800-14	75	13-20290718-75S	953	00401005	F	00281538	989	00500989S
30	13-10022896-30	77	00310205S			G	00281507	994	00500995
30	13-10023614-30	78	00300617	73A	00300621	H	00281508	995	00500994
31	13-20131800-31	79	00300616	73B	00300450	3 mm. list - Hærdet glas - Tempered glass - Sicherheitsglas		996	00500996
32-5	13-20182890-32S	82	00300346	73C	00310204S	M1800	07093054		
32-5	13-20183608-32S	83	00300343	73D	00300629				
32-6	13-20182890-326	84	00300610	73E	00300407				
32-6	13-20183608-326	90	13-10681100-68	76A	00300667				
33	13-10301931-33	93	00300419	78A	00300612				
34	13-20192890-34S	280	00402280	78B	00300615				
34	13-20193608-34S	350	00300350						
49	13-20422800-49	358	00310358S						
51-5	13-20130813-51S	413	00310413S						
51-5	13-20131643-51S	414	00310414S						
51-6	13-20130813-516	440	00300440						
51-6	13-20131643-516	440	00300440						
55	13-20170517-55S	441A / 441B	00300441						
56	13-20160517-56S	451	00300451						
57	13-20221075-57S	470	00300470						
58	13-20221075-58S	500	00300500						
59	13-20220812-59S	501	00300501						
60	13-20220812-60S	502	00300502						
61	13-10020651-61S	507	00300507						
62	13-20170578-62S	602	00300602						
63	13-20160578-63S	634	00300634S						
64	13-20231075-64S	662	00300662						
65	13-20221075-65S	664	00300664						

Customer Service or Assembly Questions?

Give us a call or email:

1-877-760-8500 ext701

customerservice@exaco.com

Exaco Trading

www.EXACO.com

JULIANA A/S

Sivlandvænget 29 · 5260 Odense S · Denmark

Tel: +45 66 11 18 11 · mail@juliana.com

www.juliana.com

